



# CLASSIC PREMIUM

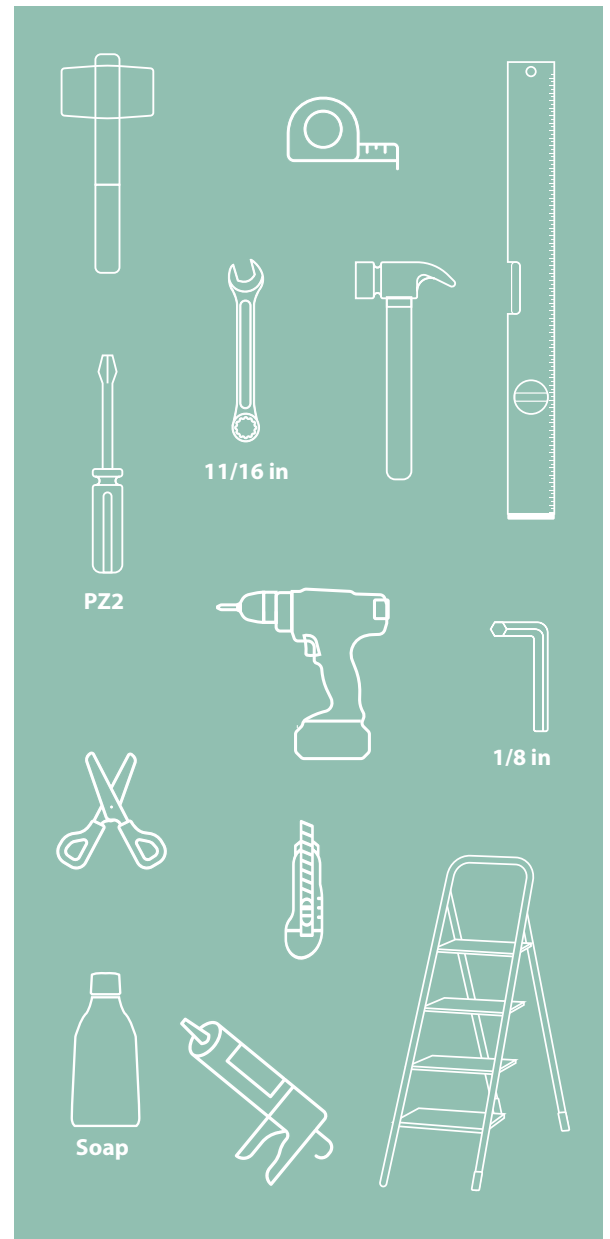
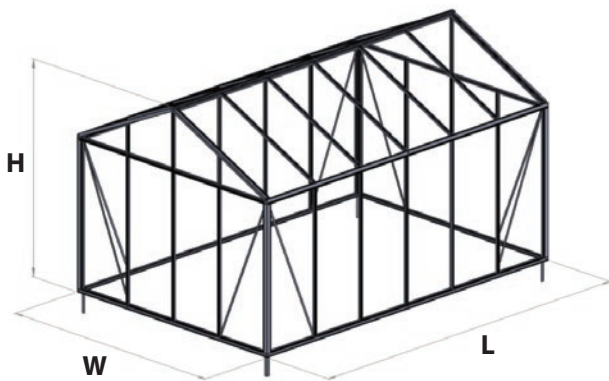


# ASSEMBLY INSTRUCTIONS

Important: Read the entire instruction before starting the assembly. Strictly follow all the instructions provided in this manual and carry out all of the stages of the installation process in the specified order. Failure to comply with these rules may lead to incorrect fitting of the decorative laths and the occurrence of visual defects. The warranty certificate is void if it is found that damage has been caused by incorrect installation. The base on which the product is to be installed must be flat and without significant differences in level. The product must be attached to the base. Note: Use lube for all screws to prevent them from breaking. Make sure that the greenhouse pallet cannot tipp over and cause accidents. Make sure that the ground were you put the pallet is in level. Installing two ground spikes to the pallet will prevent it from tipping. Do not remove all the wooden rules inside the pallet. Only remove the ones that are necessary to access the part you need.

Installation requires at least 2 people.

**NECESSARY TOOLS** – rubber mallet, measuring tape, spirit level, PZ2 screwdriver, wrenches 3/8 in, 1/2 in, and 11/16 in, cordless drill, 1/8 in hex key, utility knife, soap for rubber when oil is not enough, silicone gun and silicone, ladder.



W (in)	L (in)	H (in)	Side height (in)	Door / Side height (in)	Area (ft <sup>2</sup> )	Roof windows
92.60"	63.23"	91.85"	69.65"	65.71"	40.58 ft <sup>2</sup>	1
	92.60"	91.85"	69.65"	65.71"	59.52 ft <sup>2</sup>	1
	121.97"	91.85"	69.65"	65.71"	78.47 ft <sup>2</sup>	1
	151.34"	91.85"	69.65"	65.71"	97.31 ft <sup>2</sup>	2
	180.71"	91.85"	69.65"	65.71"	116.25 ft <sup>2</sup>	3
	210.08"	91.85"	69.65"	65.71"	135.09 ft <sup>2</sup>	4
	239.45"	91.85"	69.65"	65.71"	153.93 ft <sup>2</sup>	4
	268.50"	91.85"	69.65"	65.71"	172.22 ft <sup>2</sup>	4
	298.03"	91.85"	69.65"	65.71"	191.59 ft <sup>2</sup>	4
	327.56"	91.85"	69.65"	65.71"	210.44 ft <sup>2</sup>	4
	356.69"	91.85"	69.65"	65.71"	229.17 ft <sup>2</sup>	6
121.97"	63.23"	105.43"	76.38"	72.44"	53.50 ft <sup>2</sup>	1
	92.60"	105.43"	76.38"	72.44"	78.47 ft <sup>2</sup>	1
	121.97"	105.43"	76.38"	72.44"	103.33 ft <sup>2</sup>	1
	151.34"	105.43"	76.38"	72.44"	128.20 ft <sup>2</sup>	2
	180.71"	105.43"	76.38"	72.44"	153.06 ft <sup>2</sup>	3
	210.08"	105.43"	76.38"	72.44"	177.93 ft <sup>2</sup>	4
	239.45"	105.43"	76.38"	72.44"	202.79 ft <sup>2</sup>	4
	268.50"	105.43"	76.38"	72.44"	227.55 ft <sup>2</sup>	4
	298.03"	105.43"	76.38"	72.44"	252.52 ft <sup>2</sup>	6
	327.56"	105.43"	76.38"	72.44"	277.71 ft <sup>2</sup>	6
	356.69"	105.43"	76.38"	72.44"	302.25 ft <sup>2</sup>	6

## WIND WARNING

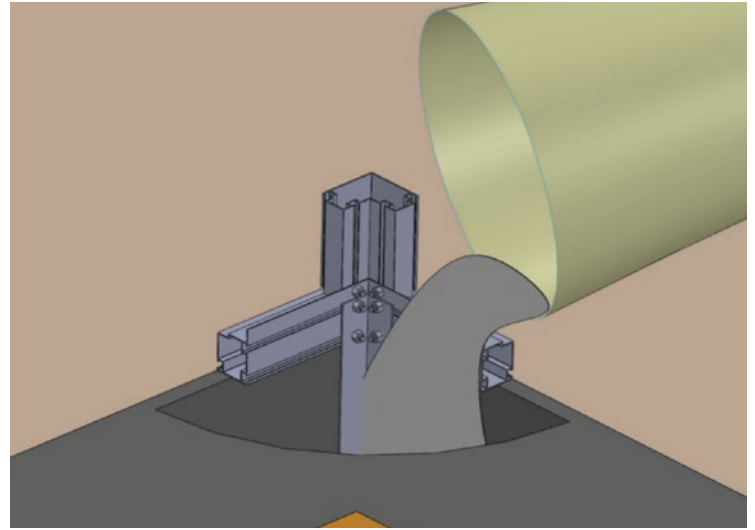
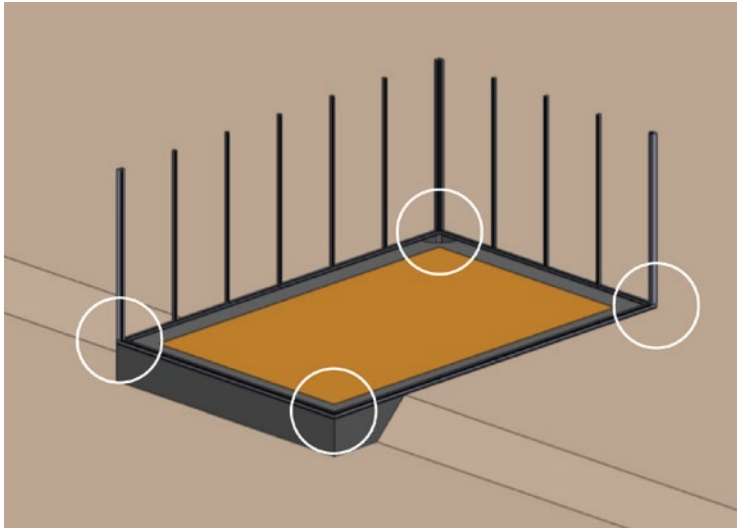
The manufacturer assumes no responsibility for damage caused by strong winds or storms. The structure must be secured according to the fastening options specified in the assembly instructions. During storms, all doors and windows must be closed.

## SNOW WARNING

Snow must be removed regularly from the roof. Excess snow load may cause structural failure. Damage caused by snow overload is not covered by warranty.

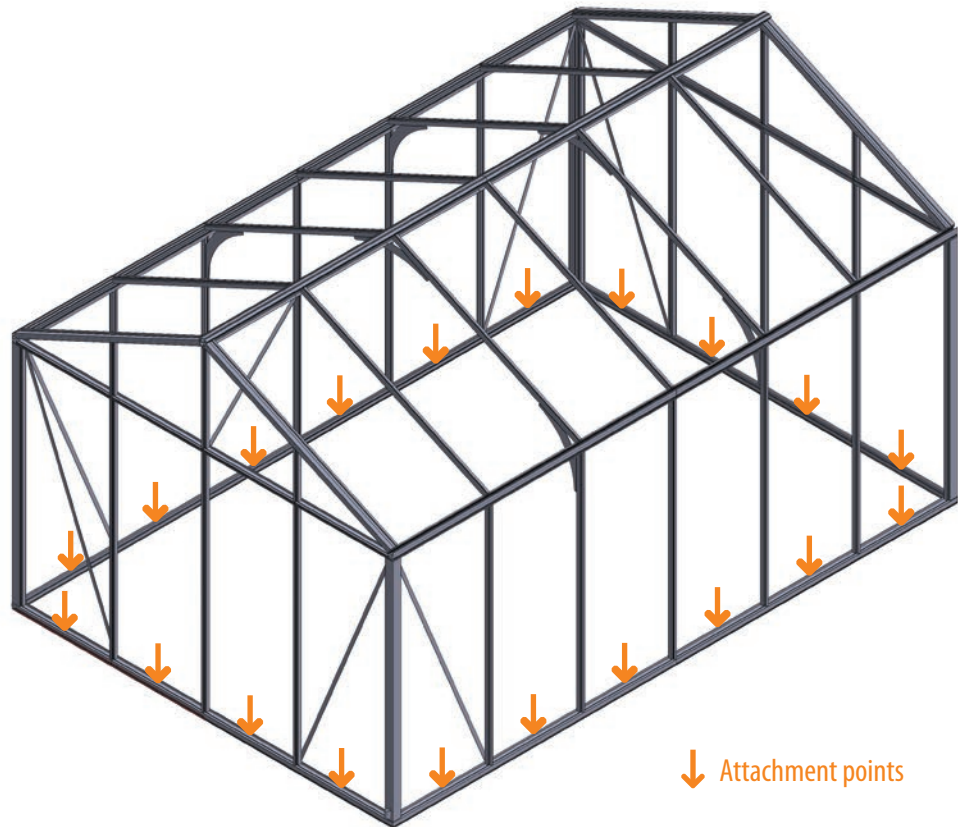
# FOUNDATION PLAN

4 corners are concreted, the base profile placed on a solid foundation



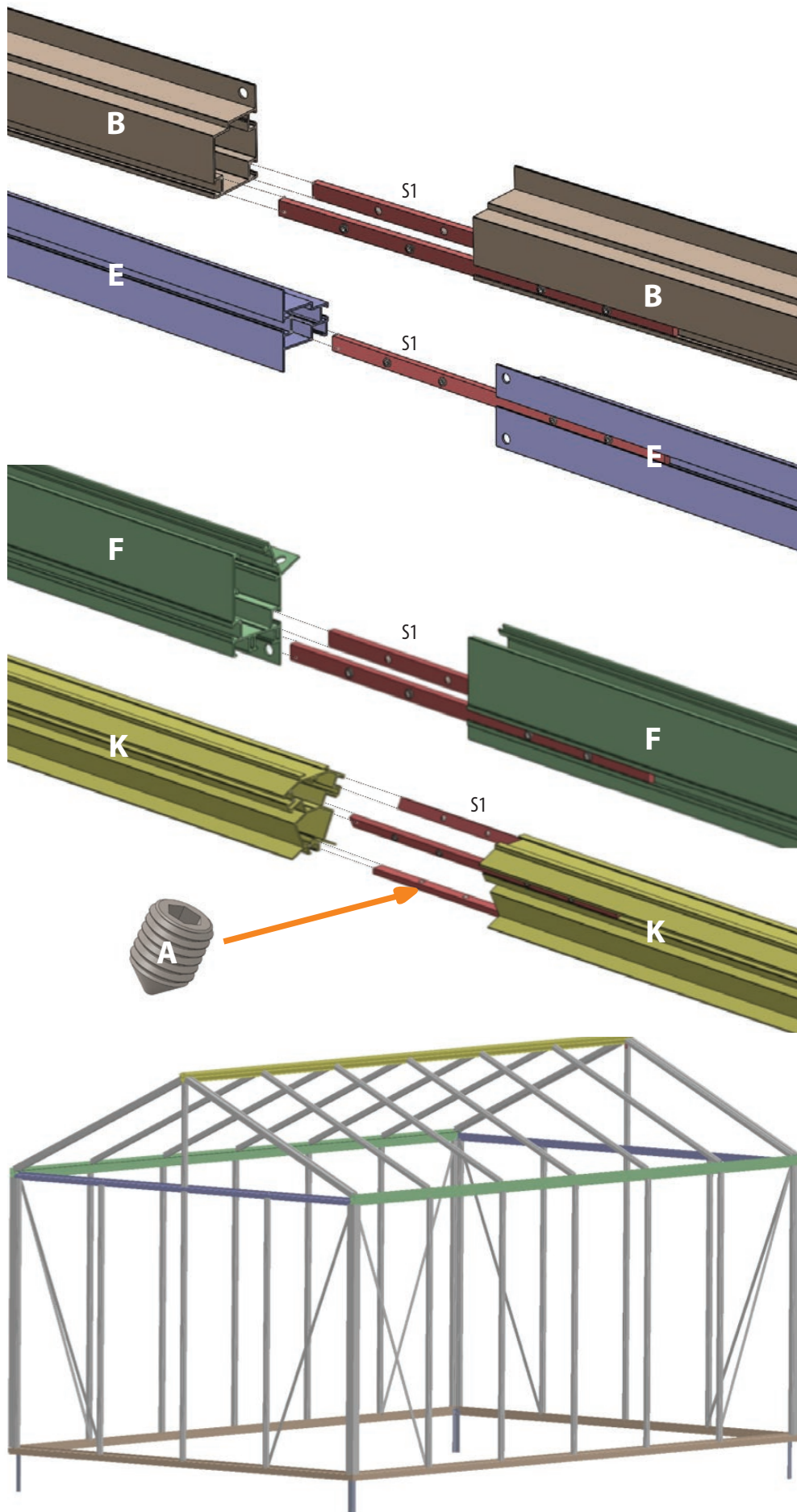
# IF CORNER REINFORCEMENTS ARE NOT USED

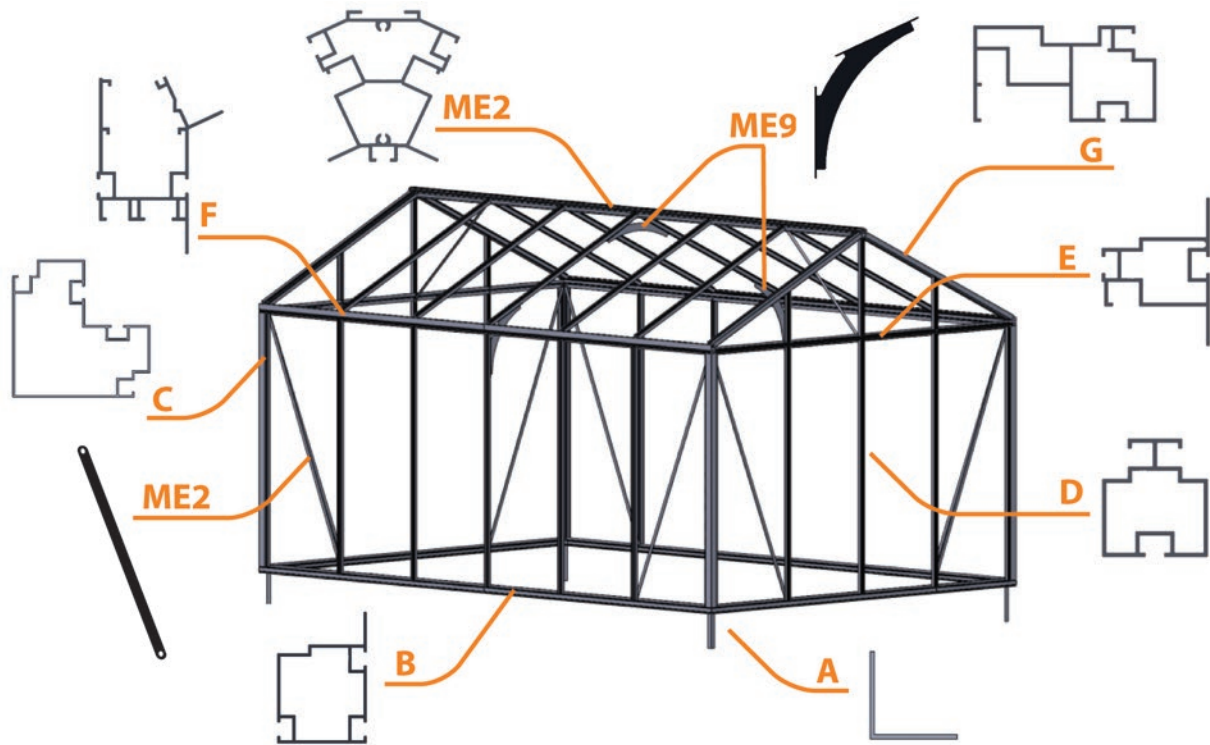
1. Drill holes in profile
2. Secure base with dowel and screw
3. Use plastic covers for holes



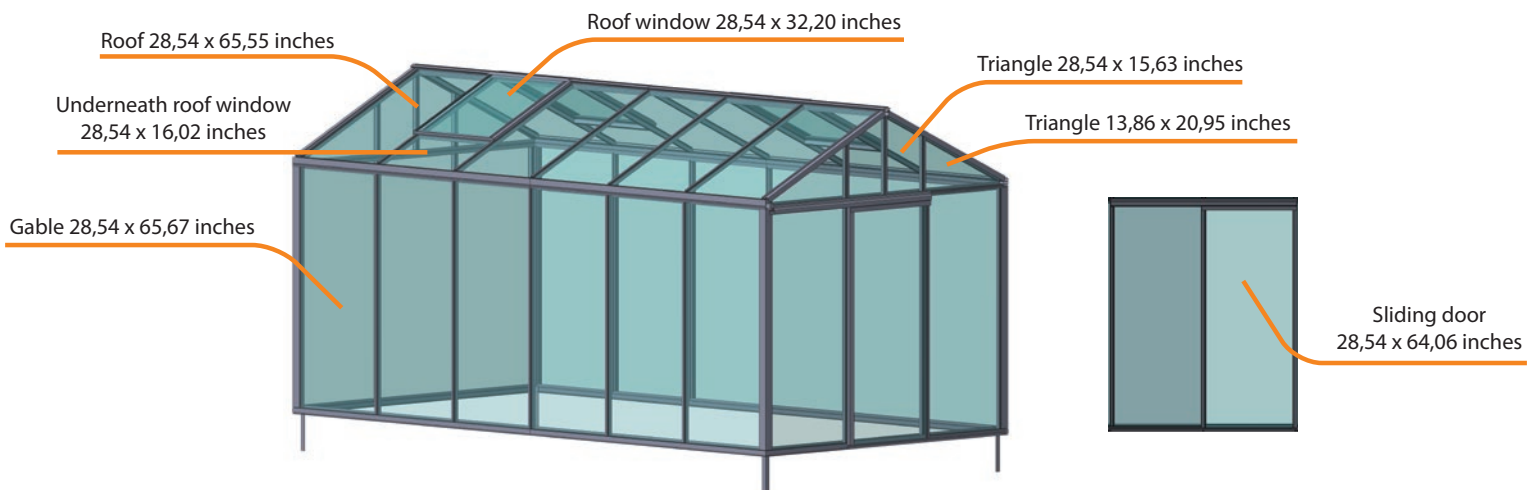
# EXTENSIONS

Fix extension rod in place with screw

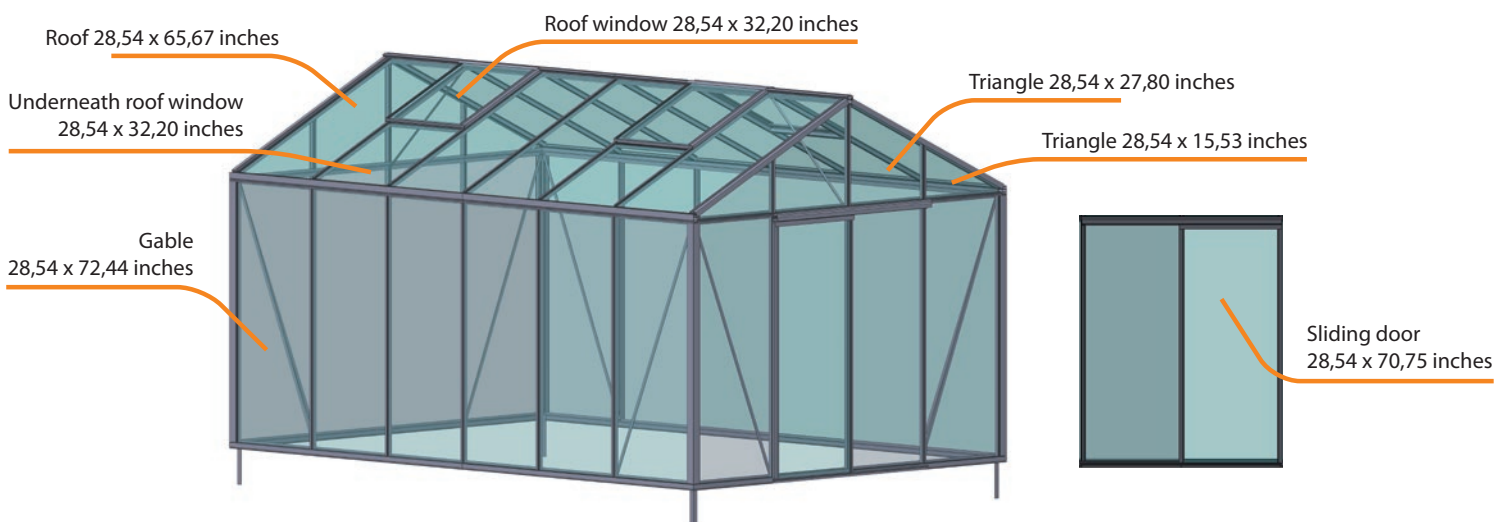




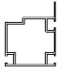

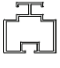

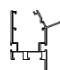




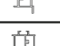

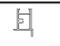
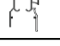
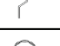
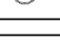





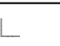









### Classic Premium glazing 92 1/2"





















### Classic Premium glazing 122"

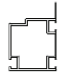


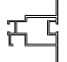
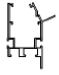














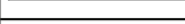






























# CLASSIFICATION OF PARTS

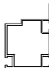




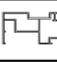




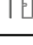
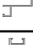

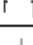
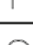
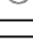







Part description, code and size			92,60x63,23	92,60x92,60	92,60x121,97	92,60x151,34	92,60x180,71	92,60x210,08	92,60x239,45		
		Size (inch)									
	B1	63,23	2								
	B2	90			2		2	2	2		
	B3	32			2			2			
	B5	92,6	2	4	2	2	2	2	2		
	B6	61,34				2			2		
	B7	90,71					2				
	B8	88,11						2	2		
	C2	65,35	4	4	4	4	4	4	4		
	D2	65,35	6	8	10	12	14	16	18		
	I6	48,78	2	4	6	8	10	12	14		
	I2	15	2	2	2	2	2	2	2		
	I5	21	2	2	2	2	2	2	2		
	I4	15	2	2	2	2	2	2	2		
	I7	28	1	1	1	2	3	4	4		
	E4	89,37	2	2	2	2	2	2	2		
	F1	63,15	2								
	F2	92,52		2							
	F3	90			2	2	2	2	2		
	F4	31,93			2			2			
	F6	61,3				2			2		
	F7	90,67					2				
	F8	88,11						2	2		
		G2	48,78	4	4	4	4	4	4	4	
	K1	63,15	1								
	K2	92,52		2							
	K3	90			1	1	1	1	1		
	K4	31,93			1			1			
	K6	61,3				1			1		
	K7	90,67					1				
	K8	88,11						1	1		
		L1	30,63	1	1	1	2	3	4	4	
	L2	32,52	2	2	2	4	6	8	8		
	L3	30,63	1	1	1	2	3	4	4		
	M1	30,63	1	1	1	1	1	1	1		
	M6	64,41	2	2	2	2	2	2	2		
	M3	30,63	1	1	1	1	1	1	1		
	M4	60,24	1	1	1	1	1	1	1		
	M5	60,24	1	1	1	1	1	1	1		
	M7	65	2	2	2	2	2	2	2		
	S1	11,81	0	0	11	11	11	22	22		
	ME11	37,6	2	2	2	2	2	2	2		
	ME10	71,85	8	8	8	8	8	8	8		
	ME4	58,07	0	0	1	2	0	0	0		
	ME9	11.81 x 11.81	0	0	0	0	2 sets	2 sets	3 sets		
	ME5	1.38 x 1.38	8	8	8	10	12	14	14		
	ME6	2.36 x 2.36	2	2	2	4	6	8	8		
	ME7	23,5	1	1	1	2	3	4	4		
	ME8	2	8	12	16	20	24	28	32		
	A3	0,6x0,6x28	1	1	1	1	1	1	1		
	A1	1.38 x 1.38 x 11.81	4	4	4	4	4	4	4		
	A2	0.59 x 0.59 x 64.41	1 if double doors								
	S2	2.76 x 0.55 x 0.08	1 if double doors								
	Glazing rubber (ft)		230	279	328	377	427	475	525		
















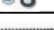









	Brush strip (in)	130	130	130	130	130	130	130
	Down pipe bend 90° - Ø1,38 inch	2	2	2	2	2	2	2
	Sliding roller	2	2	2	2	2	2	2
	Bolts 6x12	100	110	120	140	170	180	190
	Bolts 6x30	2	2	2	4	6	8	8
	Nuts 6x1	105	115	125	145	180	190	200
	Bolts, washer, 2 nuts 7x20	1	1	1	2	3	4	4
	Bolts, washer, nuts 10x20	2	2	2	2	2	2	2
	Tapping screws 4,8x25	8	8	8	12	16	20	20
	Tapping screws 4,8x19	5	5	5	5	5	5	5
	Hexagon socket screws	0	0	44	44	68	88	88
	Nut caps	105	115	125	145	180	190	200
	Gutter end incl. downpipe	2	2	2	2	2	2	2
	Gutter end	2	2	2	2	2	2	2
	Ridge end	2	2	2	2	2	2	2
	Railends (L) sliding door	1	1	1	1	1	1	1
	Railends (R) sliding door	1	1	1	1	1	1	1
	PVC piece gable	4	4	4	4	4	4	4
Glass								
	Gable 28,54 x 65,67 inches	9	11	13	15	17	19	21
	Sliding door 28,54 x 64,06 inches	1	1	1	1	1	1	1
	Roof 28,54 x 65,55 inches	3	5	7	8	9	10	12
	Roof window 28,54 x 32,20 inches	1	1	1	2	3	4	4
	Underneath roof window 28,54 x 16,02 inches	1	1	1	2	3	4	4
	Triangle 28,54 x 15,63 inches	4	4	4	4	4	4	4
	Triangle 13,86 x 20,95 inches	4	4	4	4	4	4	4

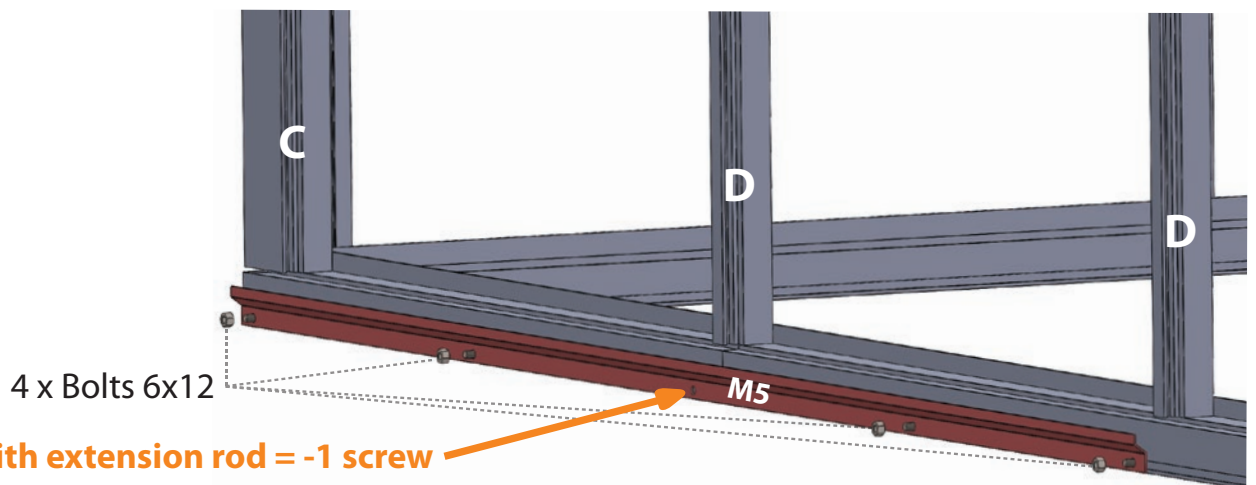
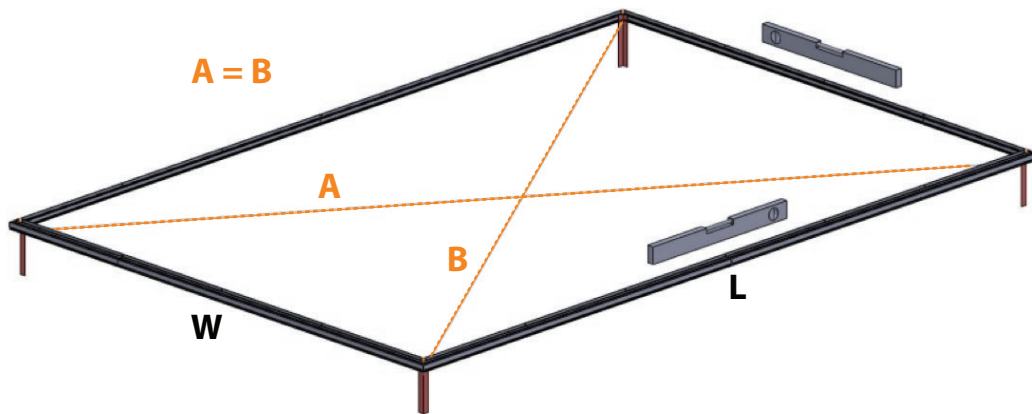
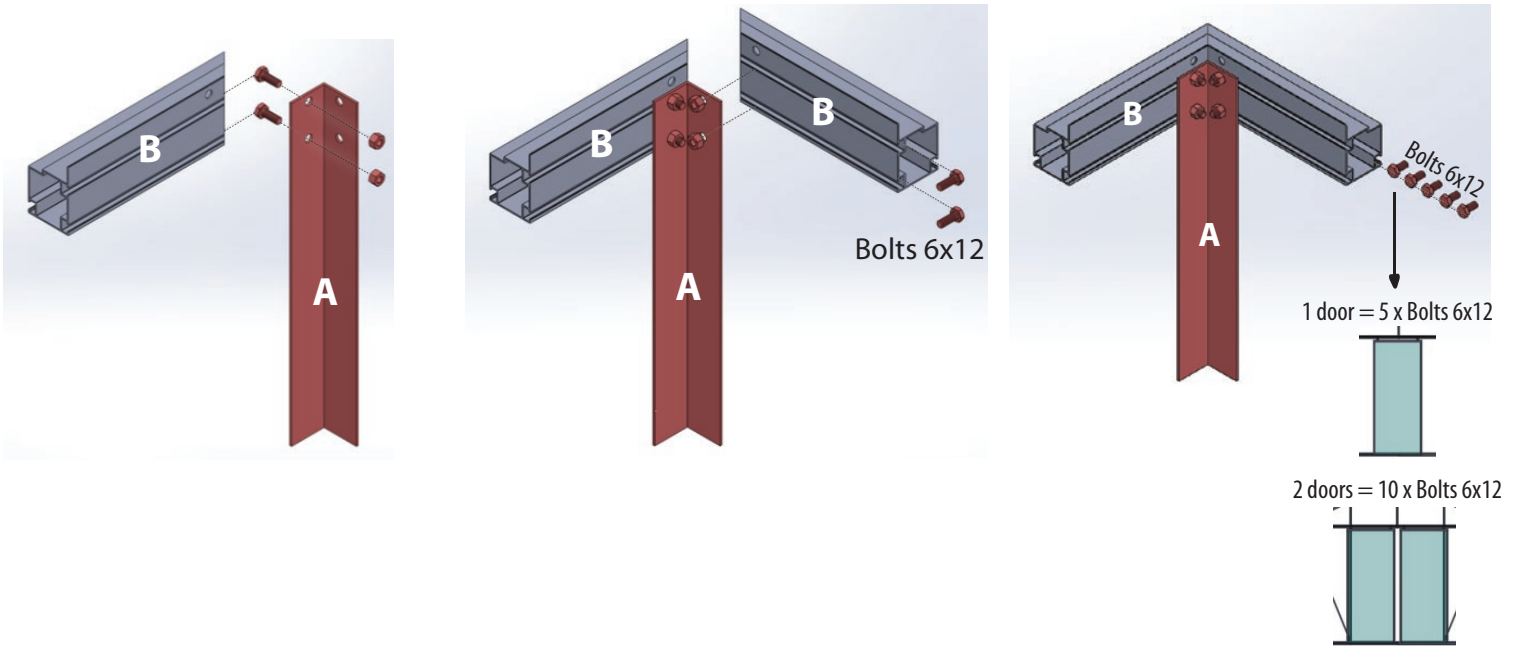
## CLASSIFICATION OF PARTS

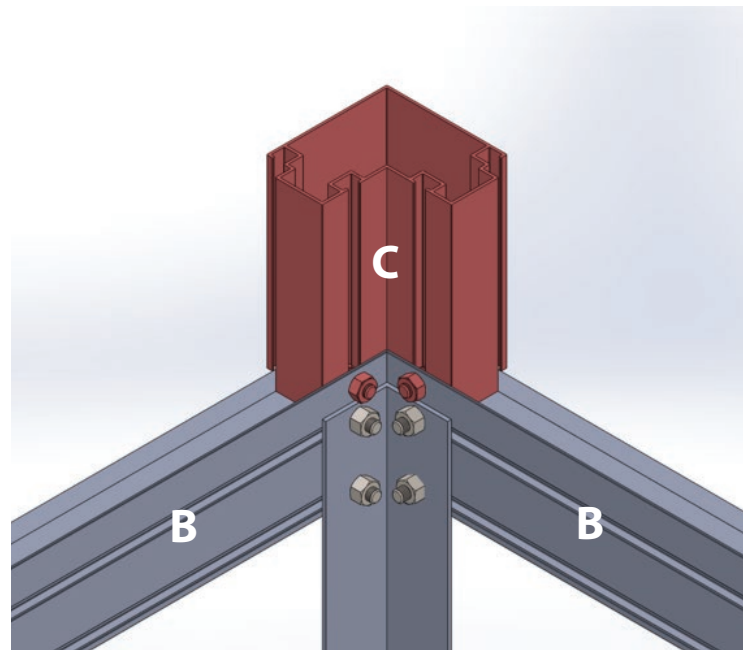
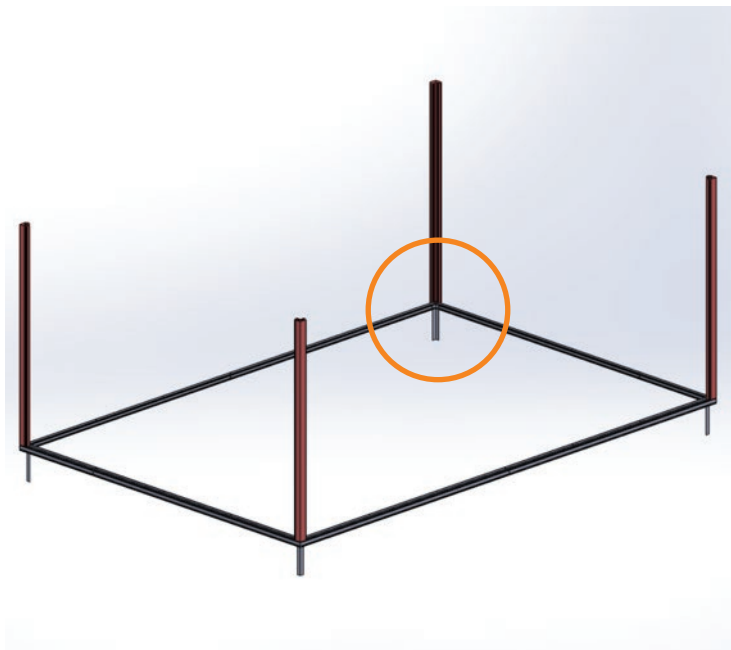
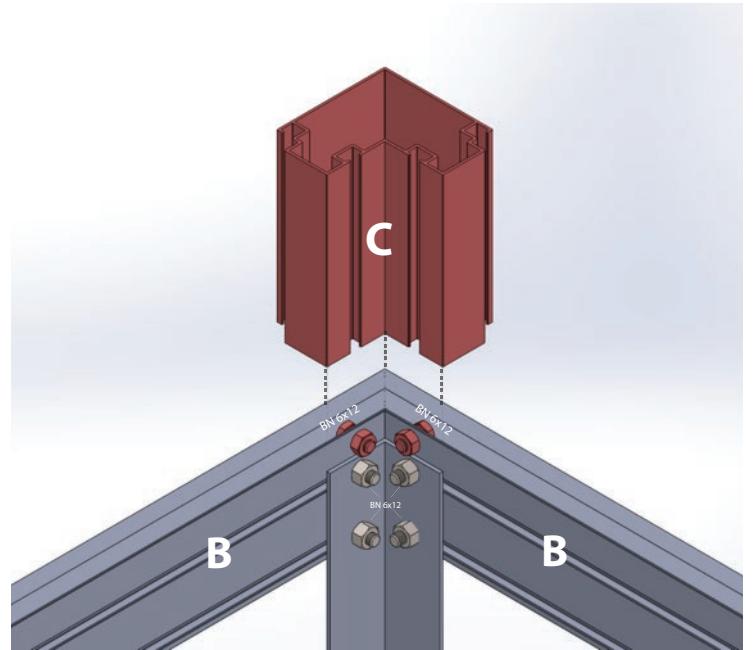
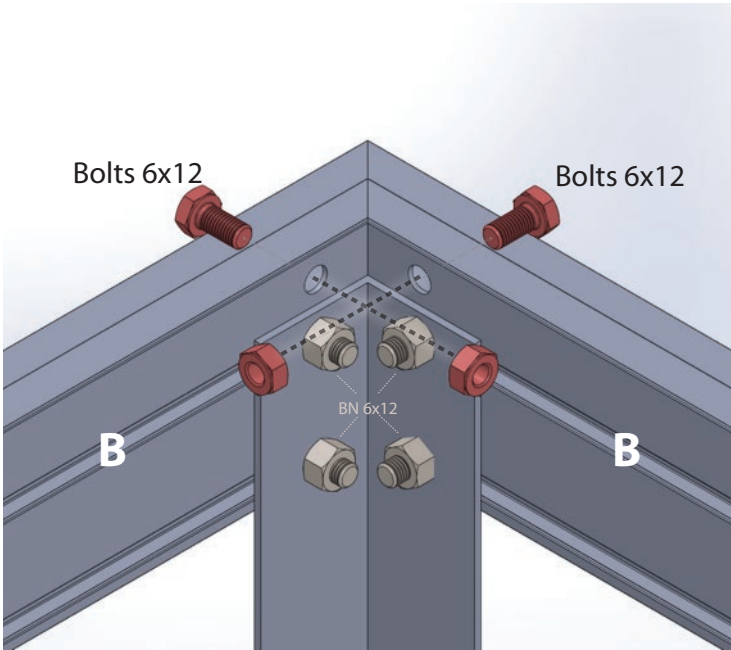
Part description, code and size			122x63,23	122x92,60	122x122	122x151,34	122x180,71	122x210	122x239,45
		Size (inch)							
	B1	63,23	2						
	B2	90	2	2	4	4	4	4	4
	B3	32	2	2	4	2	2	4	2
	B5	92,6		2					
	B6	61,34				2			2
	B7	90,71					2		
	B8	88,11						2	2
	C1	72	4	4	4	4	4	4	4
	D1	72	8	10	12	14	16	18	20
	I1	65	2	4	6	8	10	12	14
	I2	14,92	2	2	2	2	2	2	2
	I3	27,8	2	2	2	2	2	2	2
	I4	14,92	2	2	2	2	2	2	2
	I7	28	1	1	1	2	3	4	4
	E1	88,39	2	2	2	2	2	2	2
	E2	30,35	2	2	2	2	2	2	2
	F1	63,15	2						
	F2	92,52		2					
	F3	90			2	2	2	2	2
	F4	31,93			2			2	
	F6	61,3				2			2
	F7	90,67					2		
	F8	88,11						2	2
	G1	65	4	4	4	4	4	4	4
	K1	63,15	1						
	K2	92,52		1					
	K3	90			1	1	1	1	1
	K4	31,93			1			1	
	K6	61,3				1			1
	K7	90,67					1		
	K8	88,11						1	1
	L1	30,63	1	1	1	2	3	4	4
	L2	32,52	2	2	2	4	6	8	8
	L3	30,63	1	1	1	2	3	4	4
	M1	30,63	1	1	1	1	1	1	1
	M2	71,1	2	2	2	2	2	2	2
	M3	30,63	1	1	1	1	1	1	1
	M4	60,24	1	1	1	1	1	1	1
	M5	60,24	1	1	1	1	1	1	1
	M7	71,65	2	2	2	2	2	2	2
	S1	11,81	6	6	17	17	17	28	28
	ME1	41,85	2	2	2	2	2	2	2
	ME2	78	8	8	8	8	8	8	8
	ME4	58,07	0	0	1	2	0	0	0
	ME9	11.81 x 11.81	0	0	0	0	2 sets	2 sets	3 sets
	ME5	1.38 x 1.38	8	8	8	10	12	14	14
	ME6	2.36 x 2.36	2	2	2	4	6	8	8

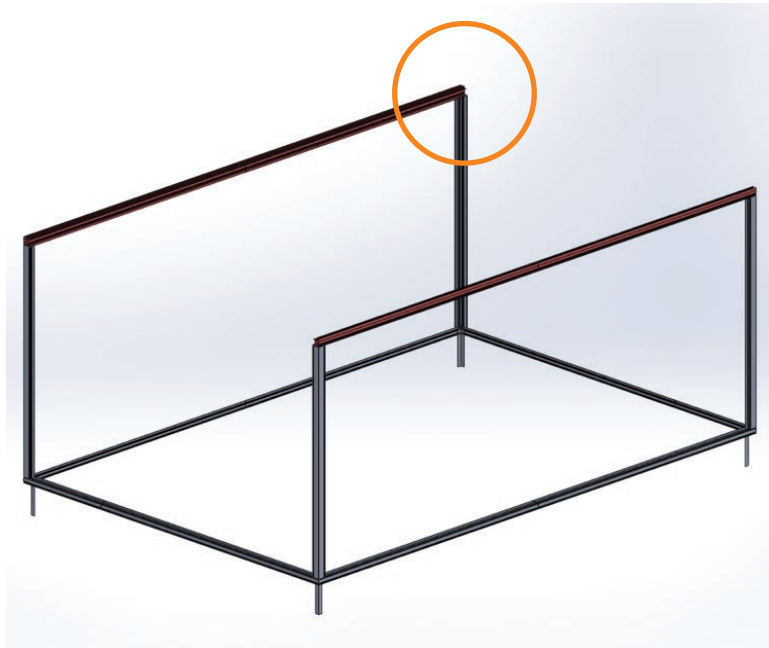
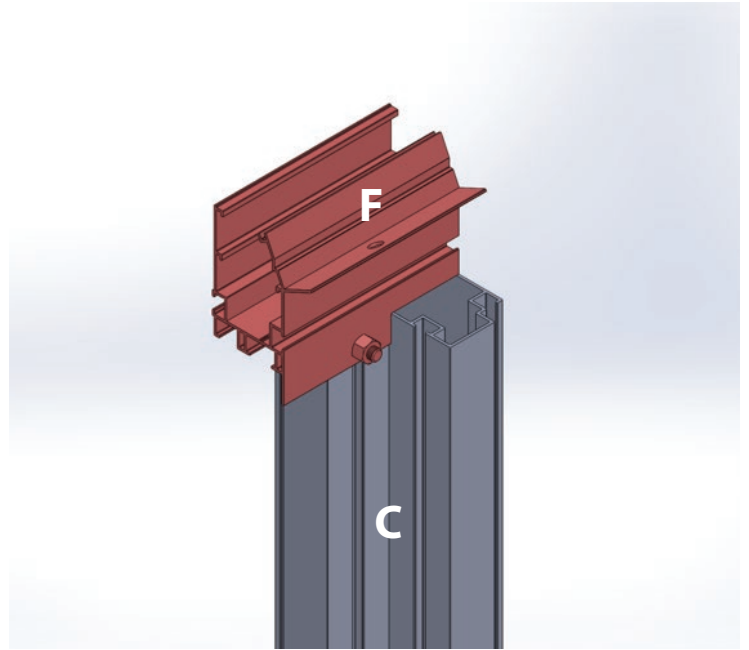
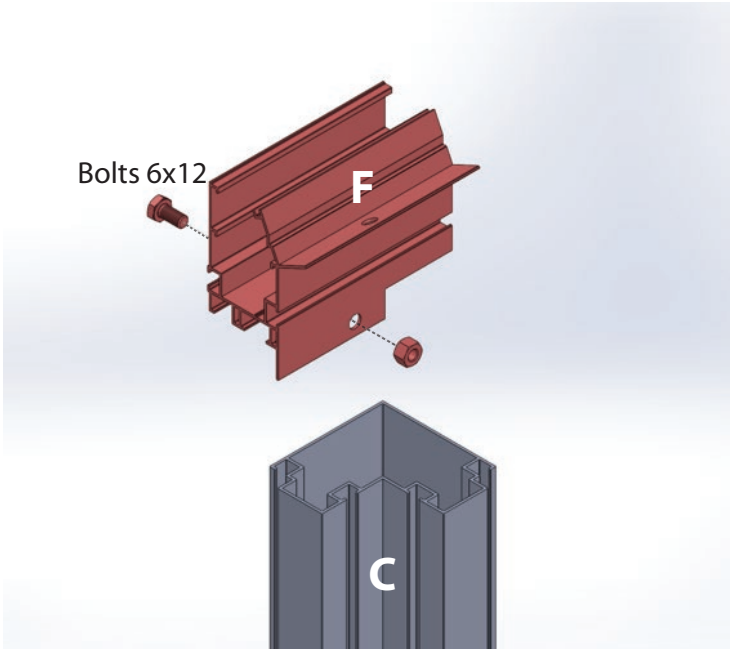
	ME7	23,5	1	1	1	2	3	4	4
	ME8	2	8	12	16	20	24	28	32
	A1	1.38 x 1.38 x 11.81	4	4	4	4	4	4	4
	A3	0,6x0,6x28	1	1	1	1	1	1	1
	A2	0.59 x 0.59 x 71.1	1 if double doors						
	S2	2.76 x 0.55 x 0.08	1 if double doors						
	Glazing rubber (ft)		298	360	426	476	542	590	656
	Brush strip (in)		142	142	142	142	142	142	142
	Down pipe bend 90° - Ø1,38 in		2	2	2	2	2	2	2
	Sliding roller		2	2	2	2	2	2	2
	Bolts 6x12		100	110	120	140	170	180	190
	Bolts 6x30		2	2	2	4	6	8	8
	Nuts 6x1		105	115	125	145	180	190	200
	Bolts, washer, 2 nuts 7x20		1	1	1	2	3	4	4
	Bolts, washer, nuts 10x20		2	2	2	2	2	2	2
	Tapping screws 4,8x25		8	8	8	12	16	20	20
	Tapping screws 4,8x19		5	5	5	5	5	5	5
	Hexagon socket screws		24	24	68	68	68	112	112
	Nut caps		105	115	125	145	180	190	200
	Gutter end incl. downpipe		2	2	2	2	2	2	2
	Gutter end		2	2	2	2	2	2	2
	Ridge end		2	2	2	2	2	2	2
	Railends (L) sliding door		1	1	1	1	1	1	1
	Railends (R) sliding door		1	1	1	1	1	1	1
	PVC piece gable		4	4	4	4	4	4	4
Glass									
Gable 28,54 x 72,44 in			11	13	15	17	19	21	23
Sliding door 28,54 x 70,75 in			1	1	1	1	1	1	1
Roof 28,54 x 65,67 in			3	5	7	8	9	10	12
Roof window / Underneath roof window 28,54 x 32,20 in			2	2	2	4	6	8	8
Triangle 28,54 x 27,80 in			4	4	4	4	4	4	4
Triangle 28,54 x 15,53 in			4	4	4	4	4	4	4

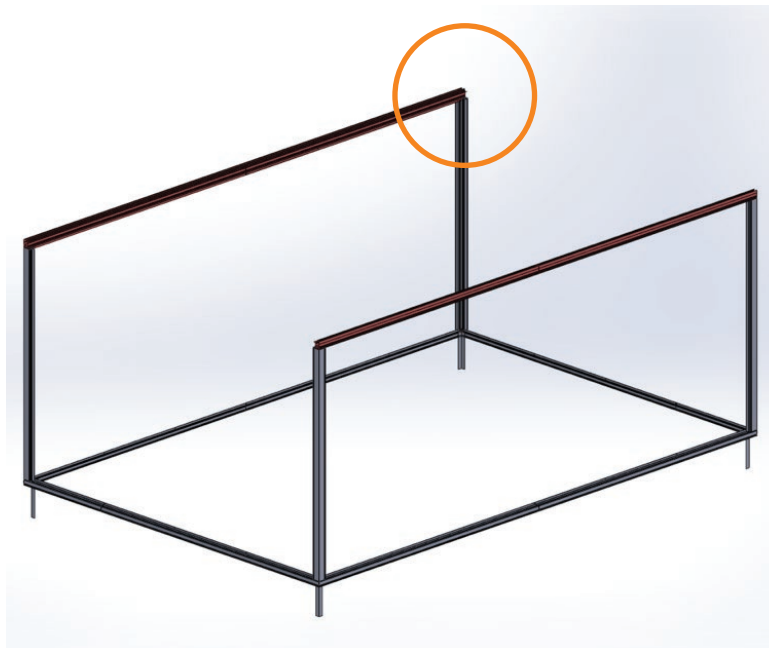
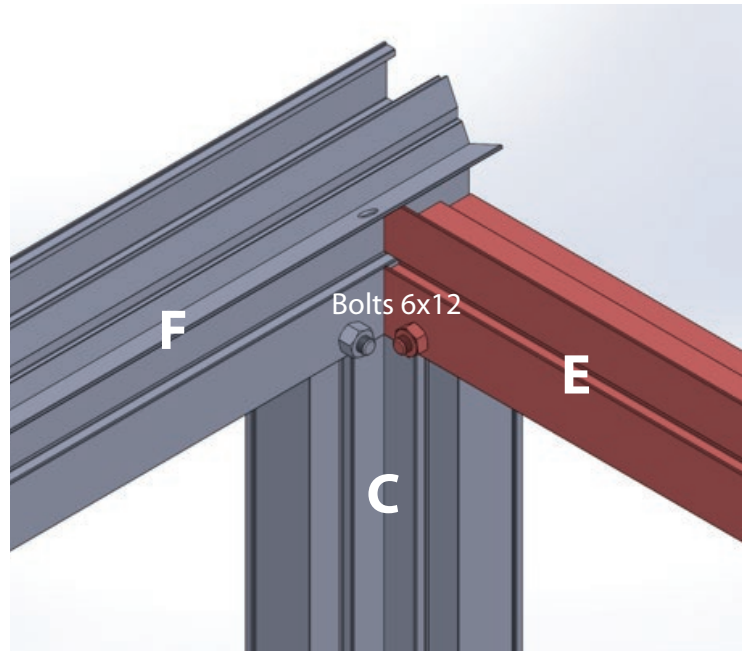
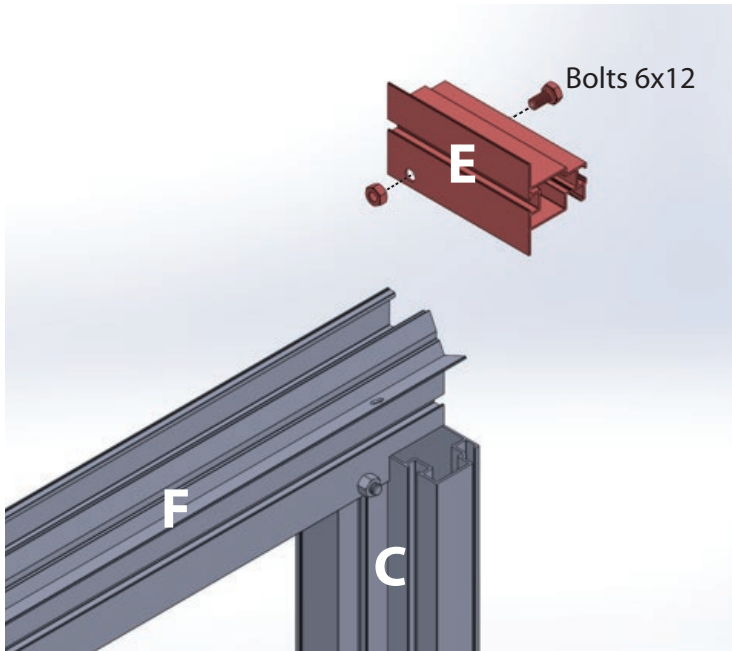
Part description, code and size		151,34x63,23	151,34x92,60	151,34x122	151,34x151,34	151,34x180,7	151,34x210	151,34x239,45	
	Size (inch)								
	B1	63,23	2						
	B2	90	2	2	4	4	4	4	
	B3	32			2			2	
	B5	92,6		2					
	B6	61,34	2	2	2	4	2	2	4
	B7	90,71					2		
	B8	88,11						2	2
	C1	72	4	4	4	4	4	4	
	D1	72	8	10	12	14	16	18	20
	I2062	81,18	2	4	6	8	10	12	14
	I2	14,92	2	2	2	2	2	2	2
	I728.1	28,66	2	2	2	2	2	2	2
	I728.2	28,66	2	2	2	2	2	2	2
	I4	14,92	2	2	2	2	2	2	2
	I881	34,69	2	2	2	2	2	2	2
I7	28	1	1	1	2	3	4	4	
	E1.1	88,39	2	2	2	2	2	2	2
	E13	59,72	2	2	2	2	2	2	2
	F1	63,15	2						
	F2	92,52		2					
	F3	90			2	2	2	2	2
	F4	31,93			2			2	
	F6	61,3				2			2
	F7	90,67					2		
	F8	88,11						2	2
	G2062	81,18	4	4	4	4	4	4	
	K1	63,15	1						
	K2	92,52		1					
	K3	90			1	1	1	1	1
	K4	31,93			1			1	
	K6	61,3				1			1
	K7	90,67					1		
	K8	88,11						1	1
	L1	30,63	1	1	1	2	3	4	4
	L2	32,52	2	2	2	4	6	8	8
	L3	30,63	1	1	1	2	3	4	4
	M1	30,63	1	1	1	1	1	1	1
	M2	71,1	2	2	2	2	2	2	2
	M3	30,63	1	1	1	1	1	1	1
	M4	60,24	1	1	1	1	1	1	1
	M5	60,24	1	1	1	1	1	1	1
	M7	71,65	2	2	2	2	2	2	2
	S1	11,81	6	6	17	17	17	28	28
	ME1	41,85	2	2	2	2	2	2	2
	ME2	78	8	8	8	8	8	8	8
	ME4	58,07	0	0	1	2			
	ME9	11.81 x 11.81	1 set	2 sets	3 sets	4 sets	5 sets	6 sets	7 sets
	ME5	1.38 x 1.38	12	12	12	14	16	18	18
	ME6	2.36 x 2.36	2	2	2	4	6	8	8

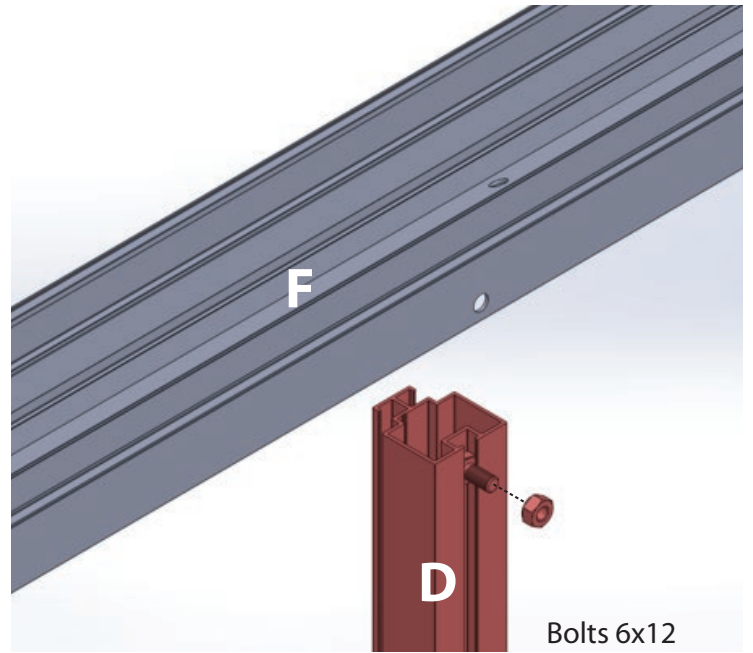
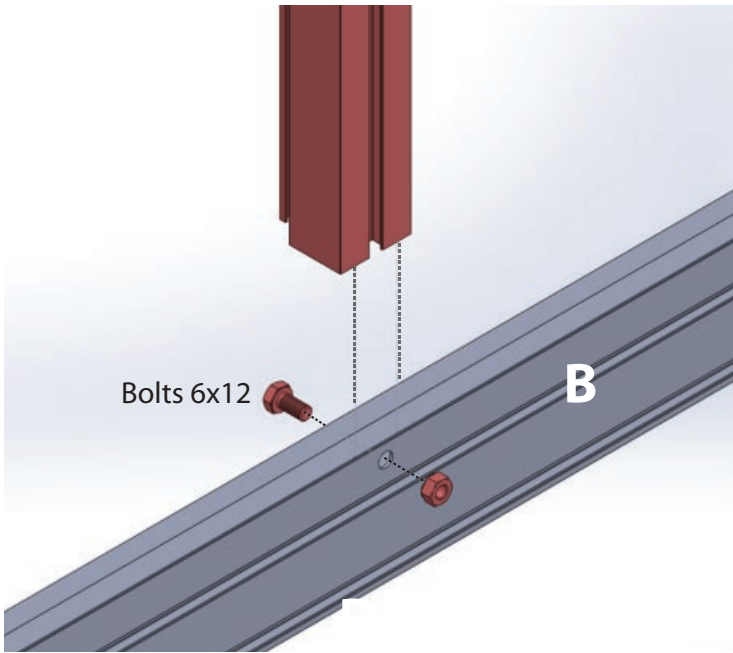
	ME7	23,5	1	1	1	2	3	4	4
	ME8	2	8	12	16	20	24	28	32
	A1	1.38 x 1.38 x 11.81	4	4	4	4	4	4	4
	A3	0,6x0,6x28	1	1	1	1	1	1	1
	A2	0.59 x 0.59 x 71.1	1 if double doors						
	S2	2.76 x 0.55 x 0.08	1 if double doors						
	Glazing rubber (ft)		344	410	475	525	590	640	690
	Brush strip (in)		142	142	142	142	142	142	142
	Down pipe bend 90° - Ø1,38 in		2	2	2	2	2	2	2
	Sliding roller		2	2	2	2	2	2	2
	Bolts 6x12		100	110	120	140	170	180	190
	Bolts 6x30		2	2	2	4	6	8	8
	Nuts 6x1		105	115	125	145	180	190	200
	Bolts, washer, 2 nuts 7x20		1	1	1	2	3	4	4
	Bolts, washer, nuts 10x20		2	2	2	2	2	2	2
	Tapping screws 4,8x25		8	8	8	12	16	20	20
	Tapping screws 4,8x19		5	5	5	5	5	5	5
	Hexagon socket screws		24	24	68	68	68	112	112
	Nut caps		105	115	125	145	180	190	200
	Gutter end incl. downpipe		2	2	2	2	2	2	2
	Gutter end		2	2	2	2	2	2	2
	Ridge end		2	2	2	2	2	2	2
	Railends (L) sliding door		1	1	1	1	1	1	1
	Railends (R) sliding door		1	1	1	1	1	1	1
	PVC piece gable		4	4	4	4	4	4	4
Glass									
Gable 28,54 x 72,44 in			11	13	15	17	19	21	23
Sliding door 28,54 x 70,75 in			1	1	1	1	1	1	1
Roof 28,54 x 81,97 in			3	5	7	8	9	10	12
Roof window 28,54 x 32,2 in			1	1	1	2	3	4	4
Underneath roof window 28,54 x 48,27 in			1	1	1	2	3	4	4
Triangle 28,54 x 27,8 in			4	4	4	4	4	4	4
Triangle 28,54 x 15,63 in			4	4	4	4	4	4	4
Shape glass 13,62 x 34,64 in			4	4	4	4	4	4	4



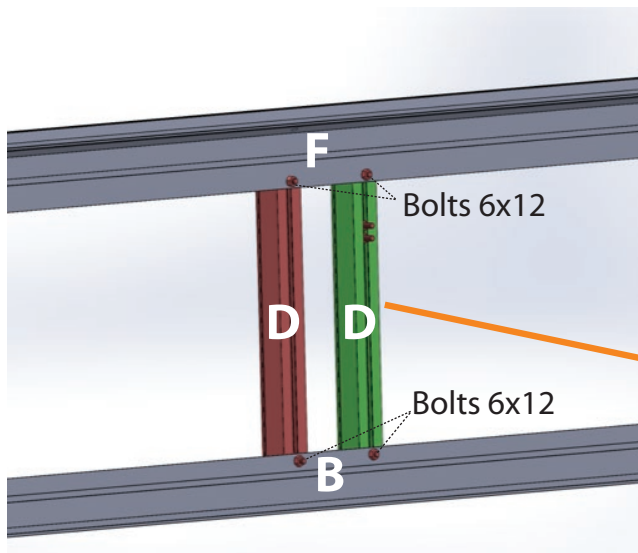
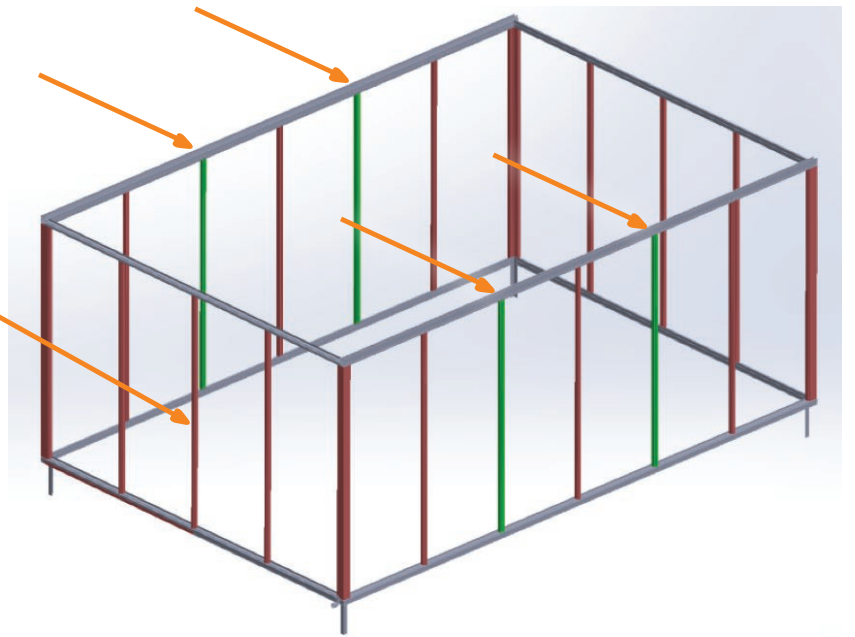




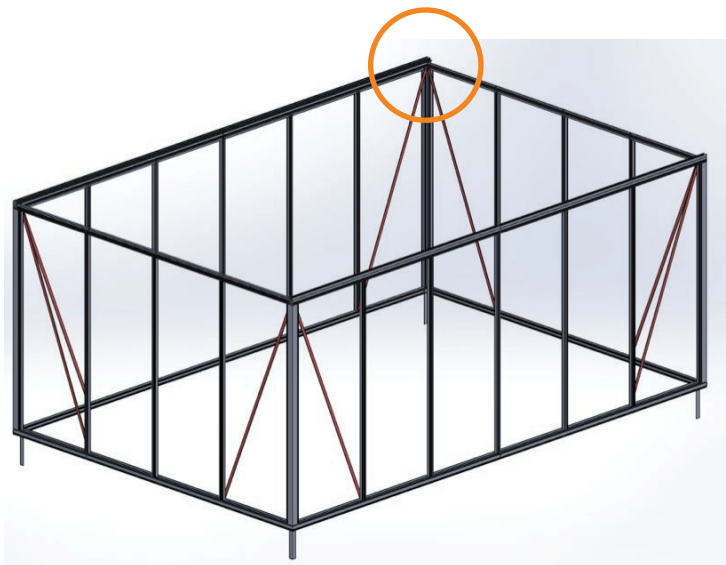
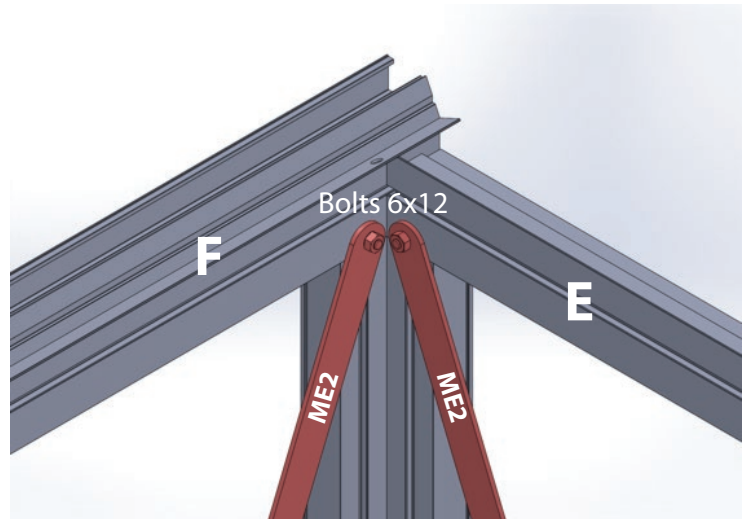
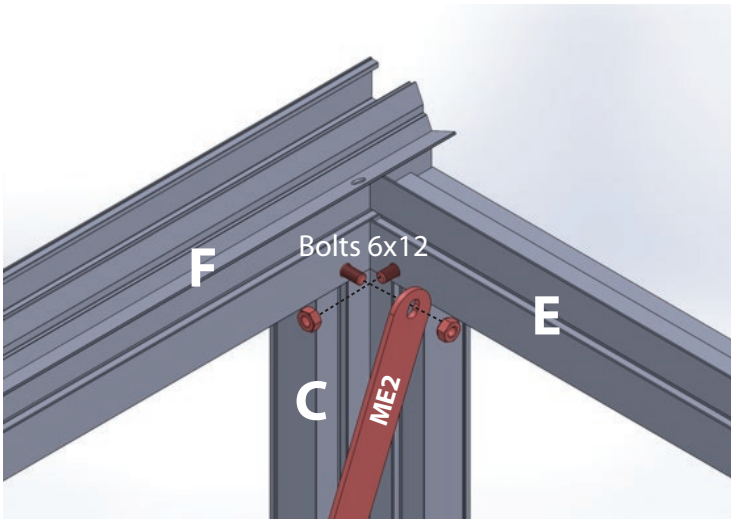
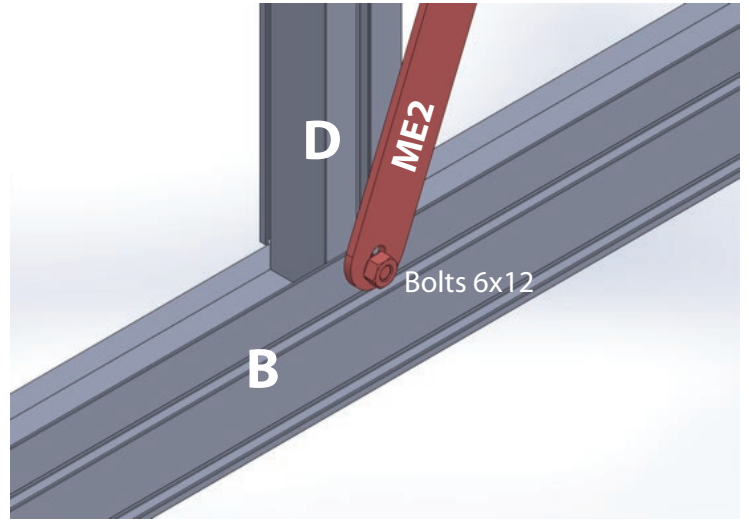
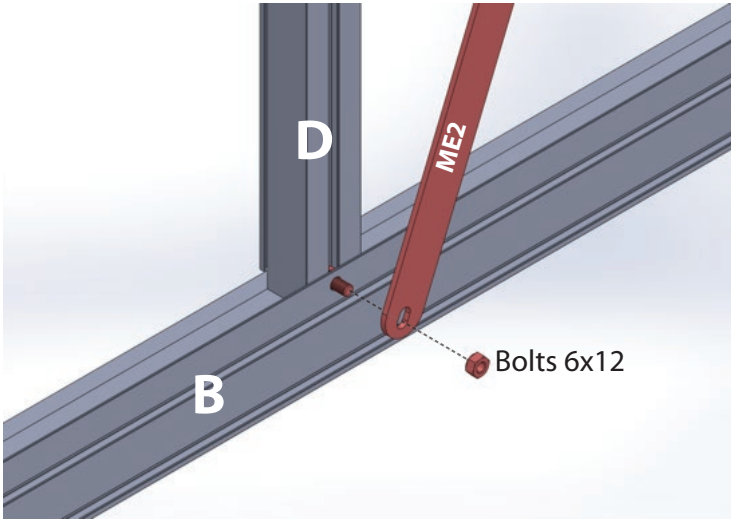




**Middle profile NOT installed if double doors.  
Doors can be installed on short and long side.**

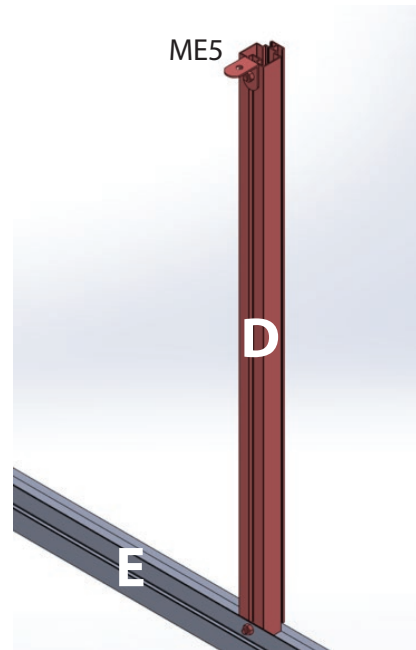
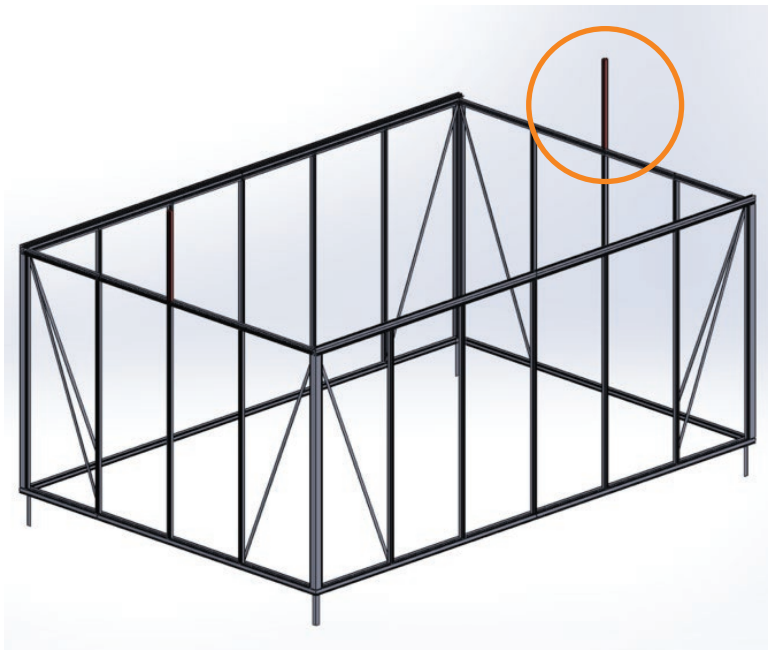
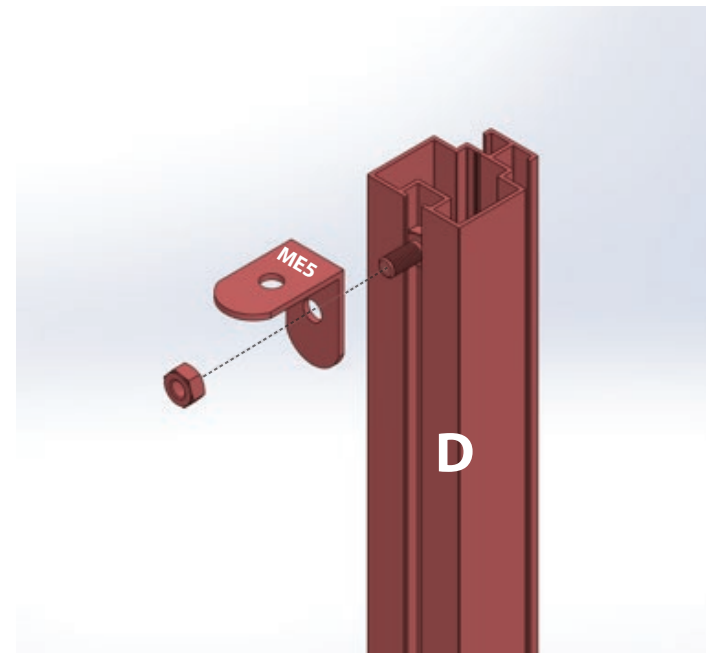
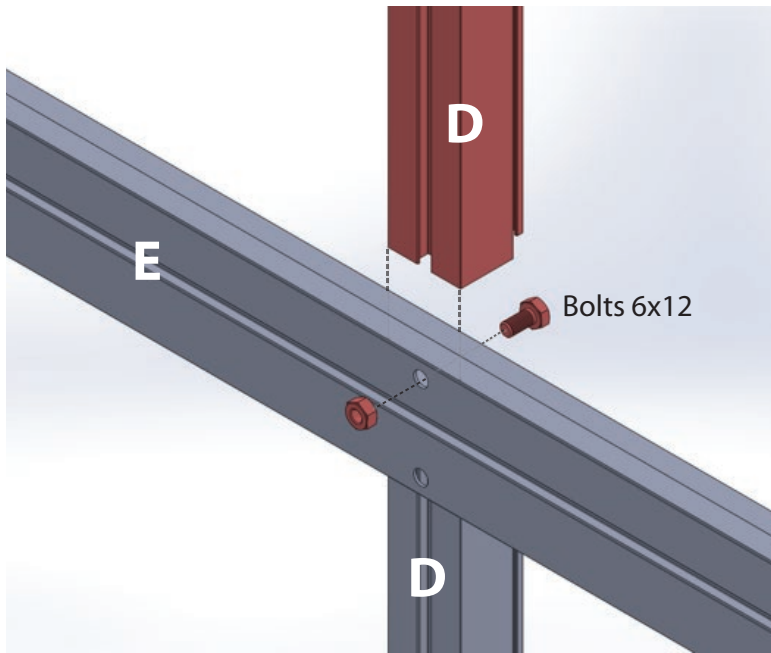


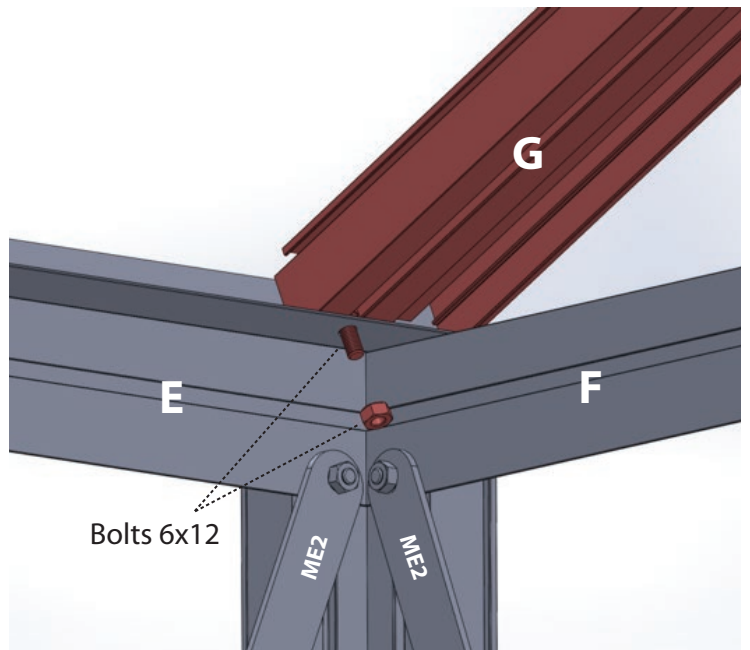
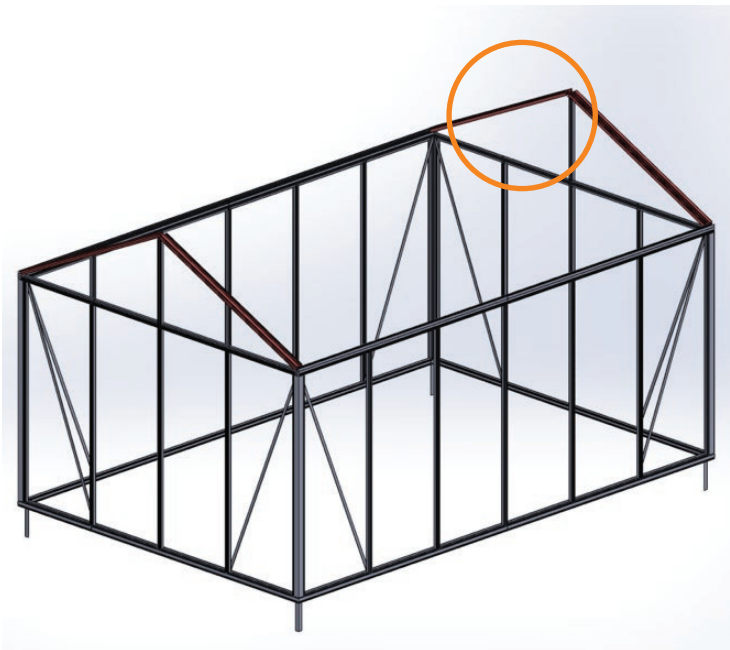
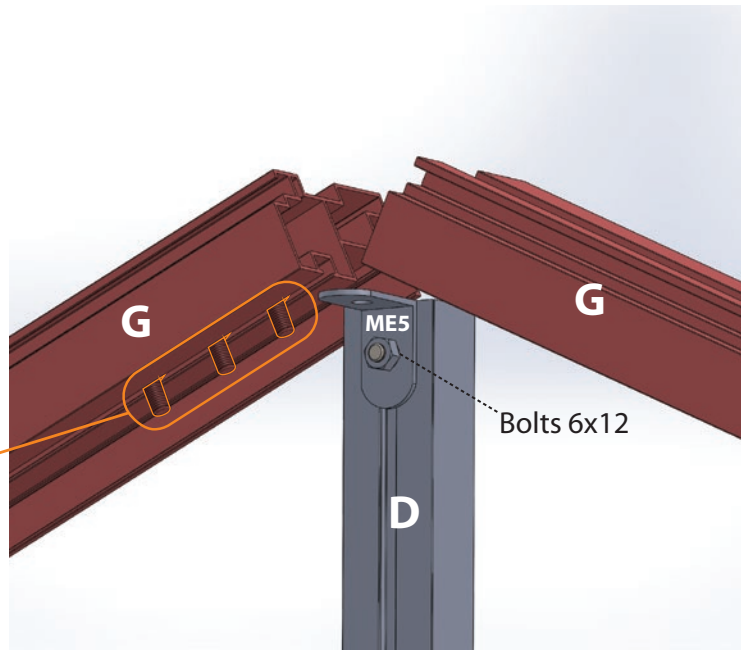
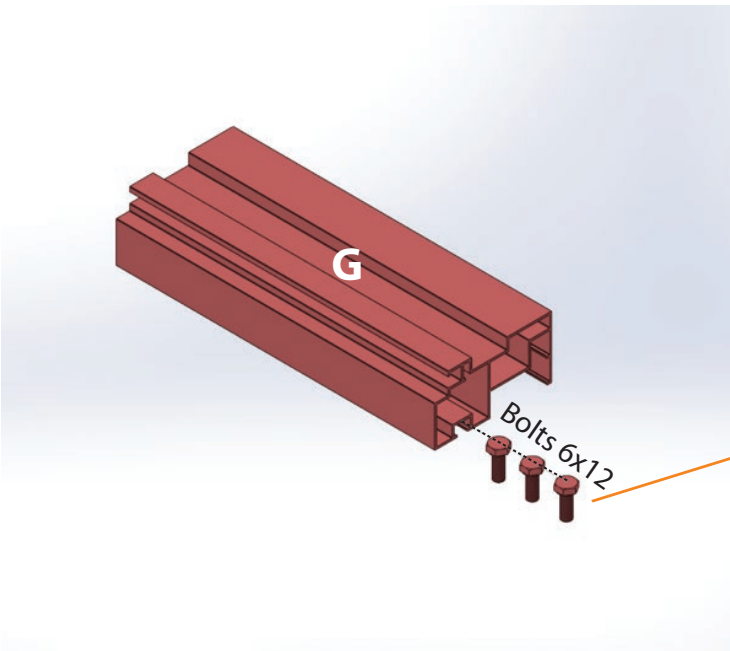
**Step 15**

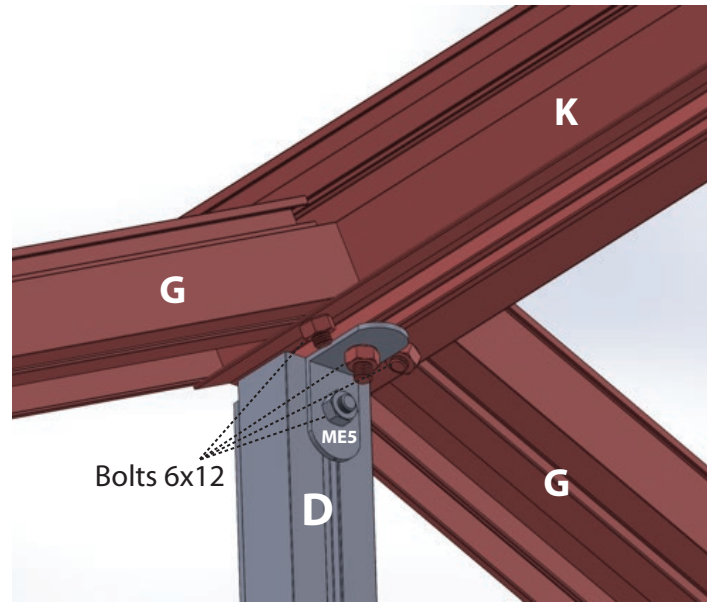
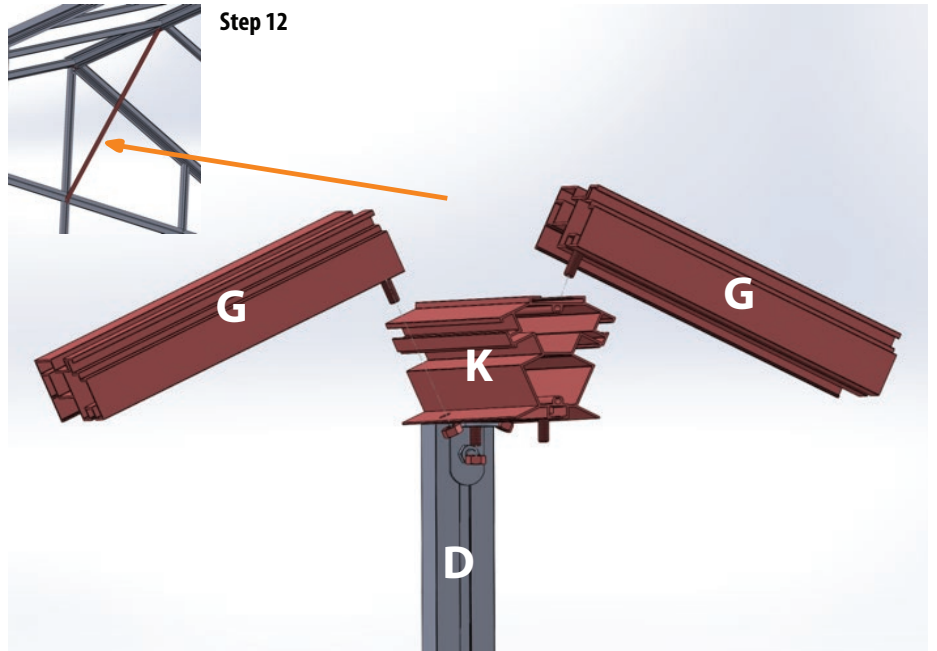
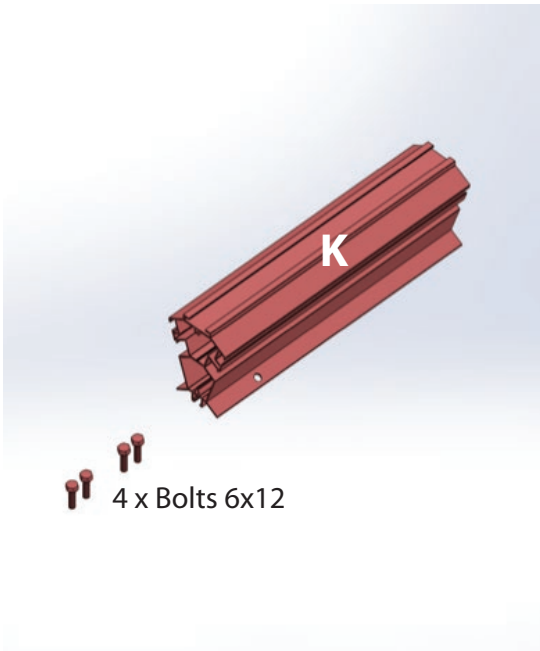


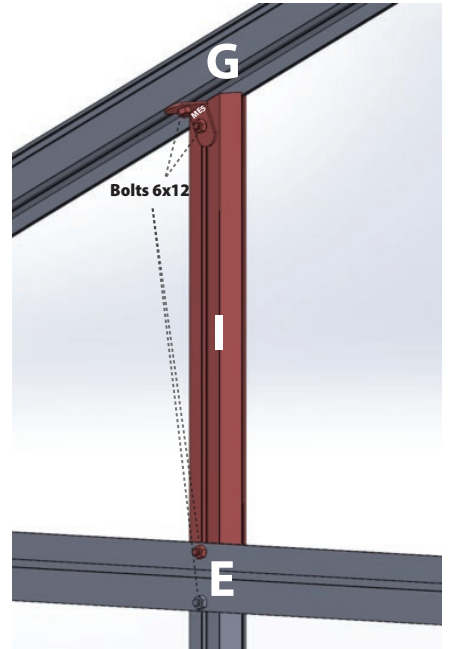
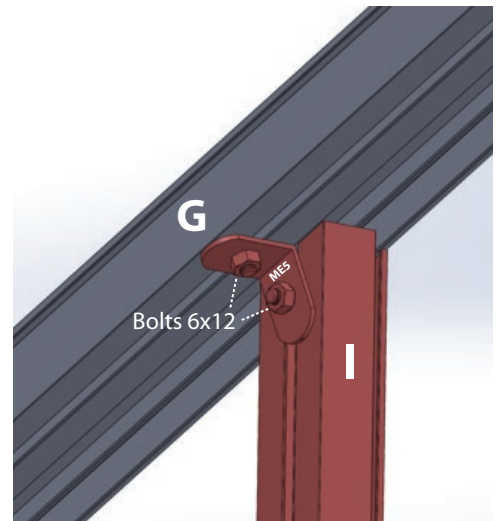
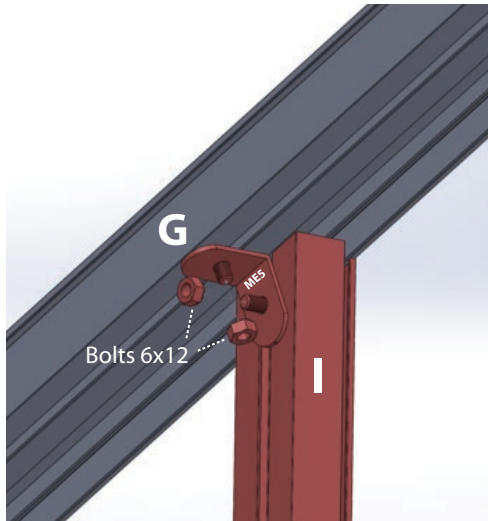
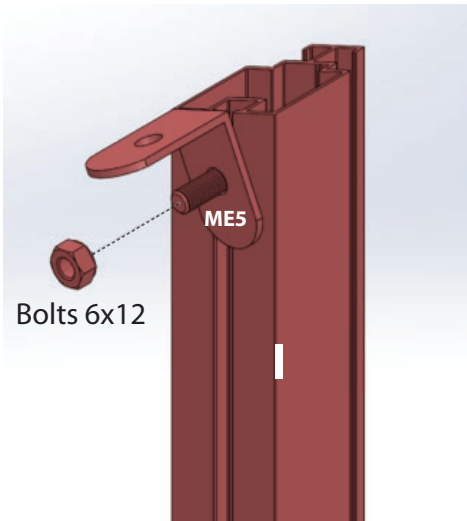
ME10  $\leftarrow$  W=92.56"

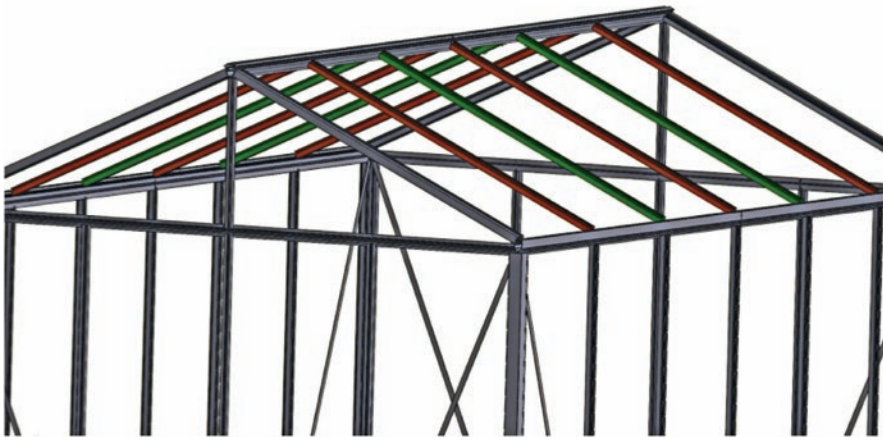
ME2  $\leftarrow$  W=122.01"



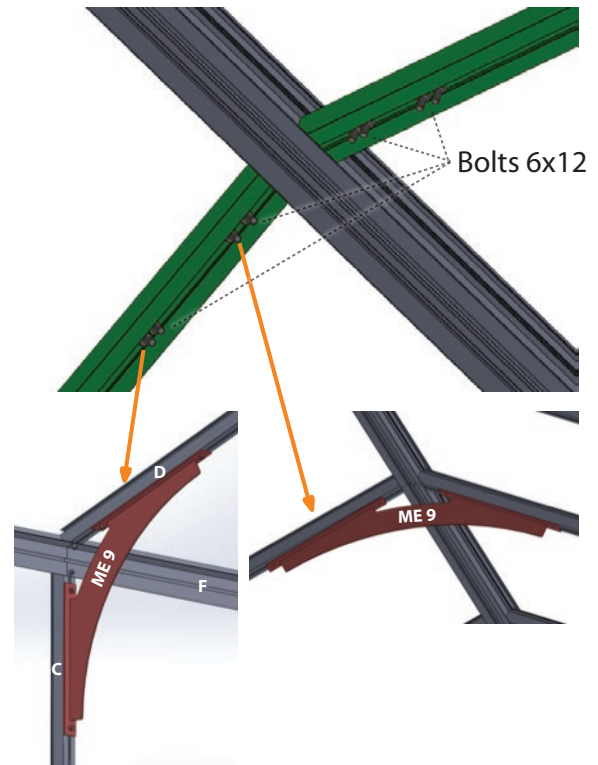






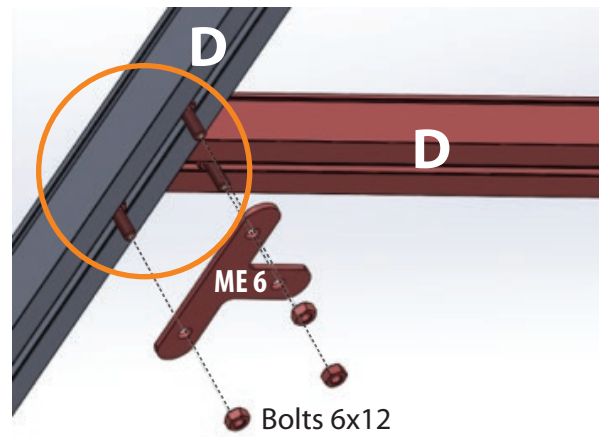


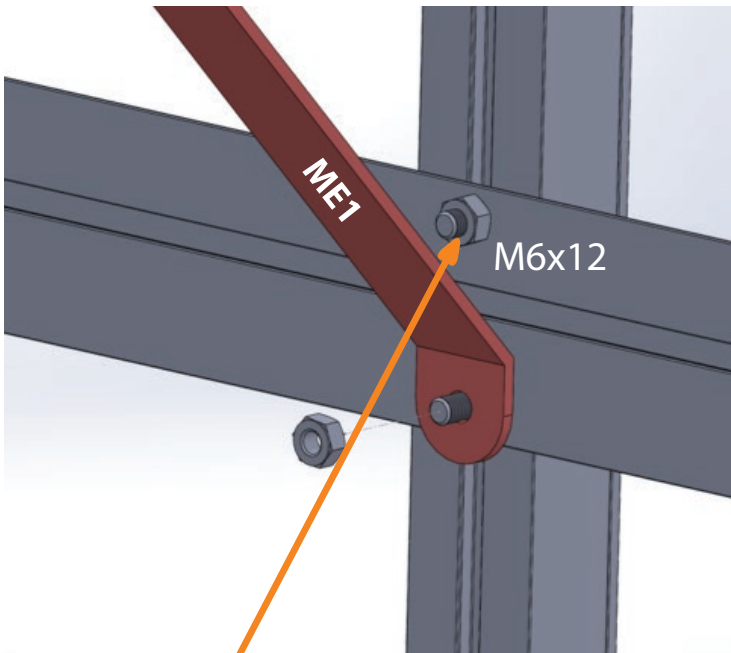
Step 15



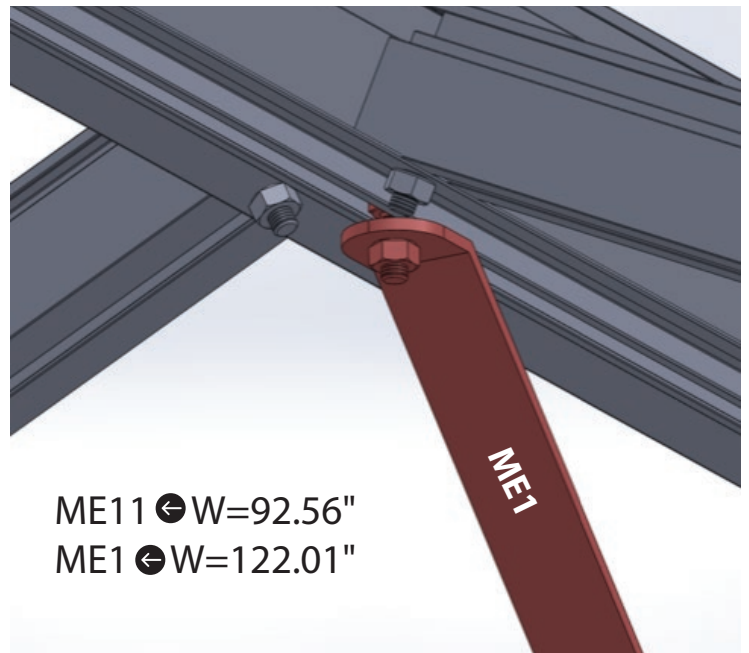
+2 x M6 x 12 for window

Step 13



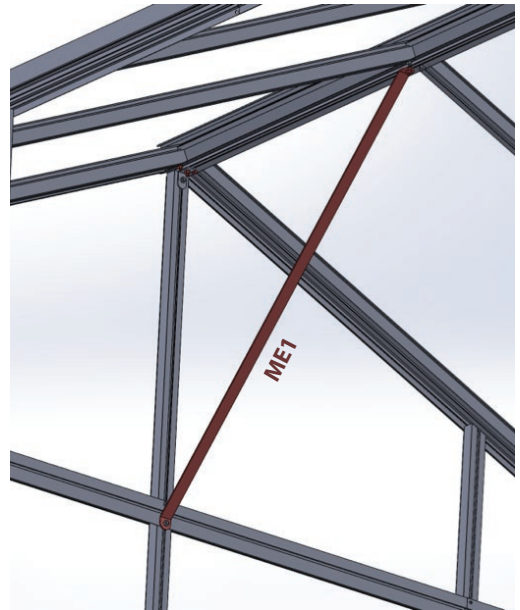


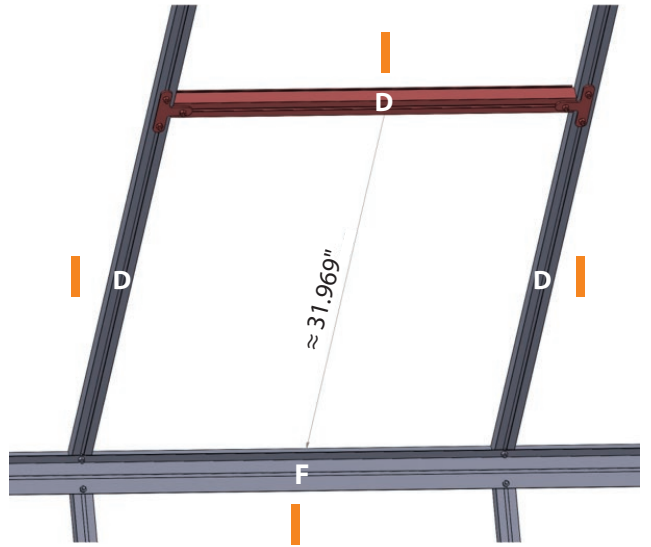
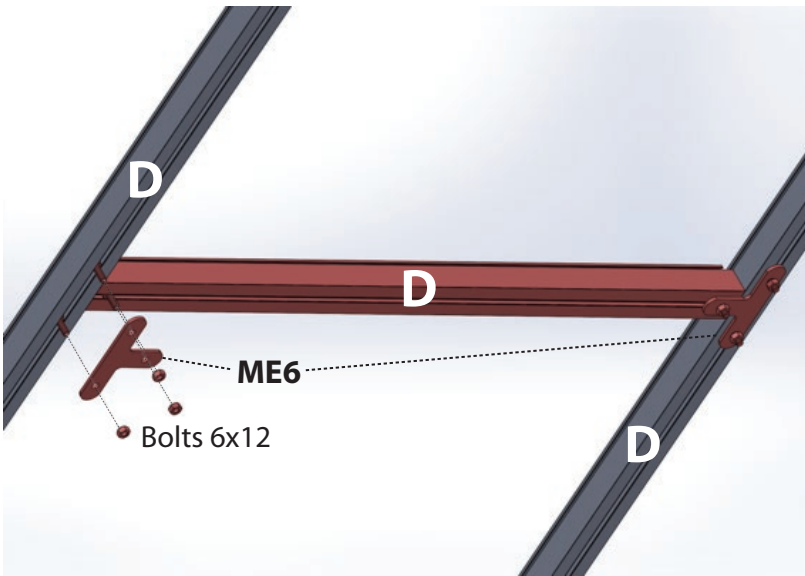
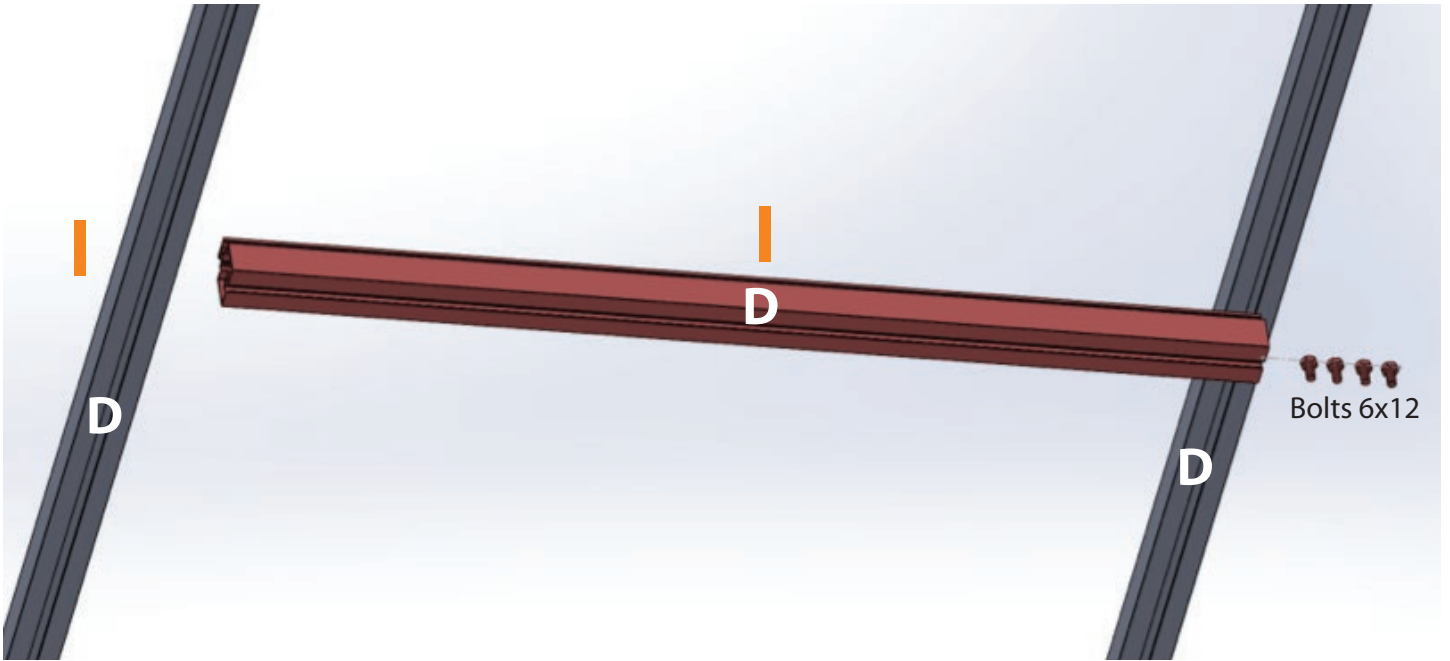
Attach ME11 here

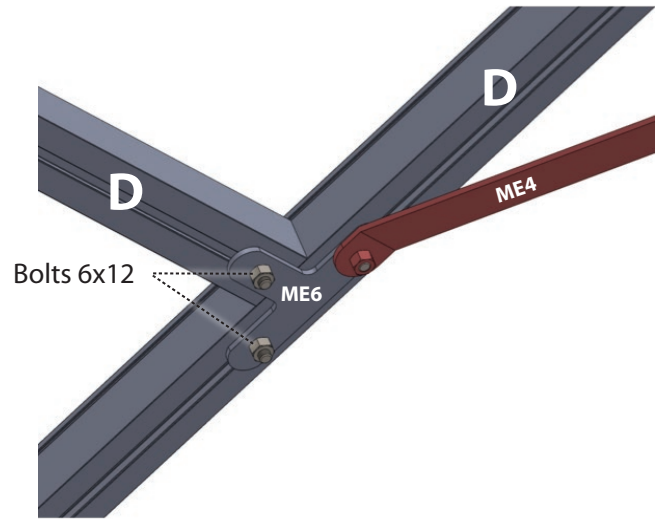
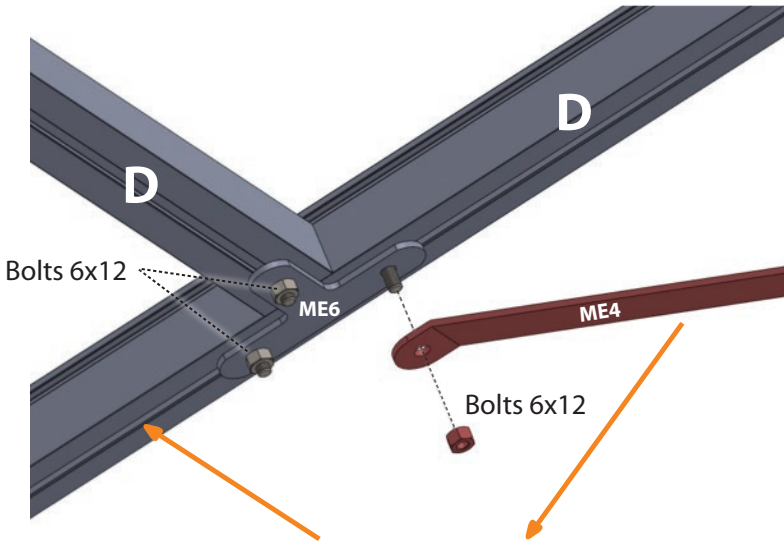
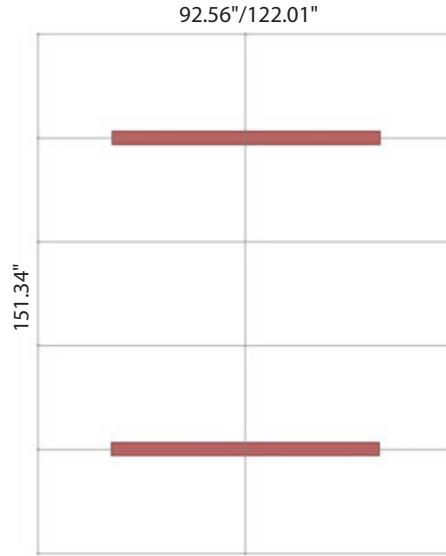
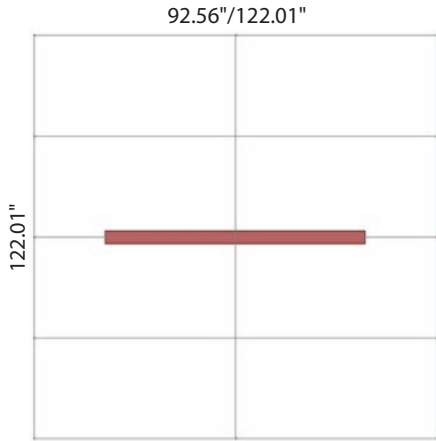


ME11 ← W=92.56"  
ME1 ← W=122.01"

Not used for sizes L = 63.23", 92.60"

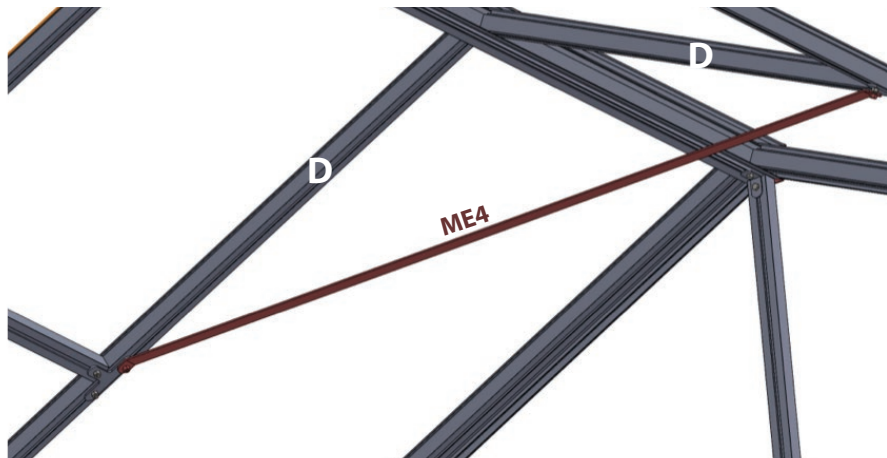




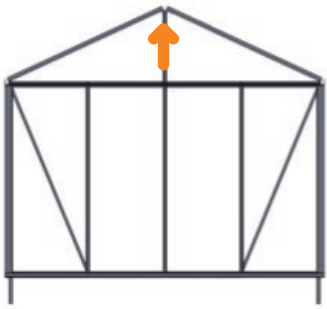
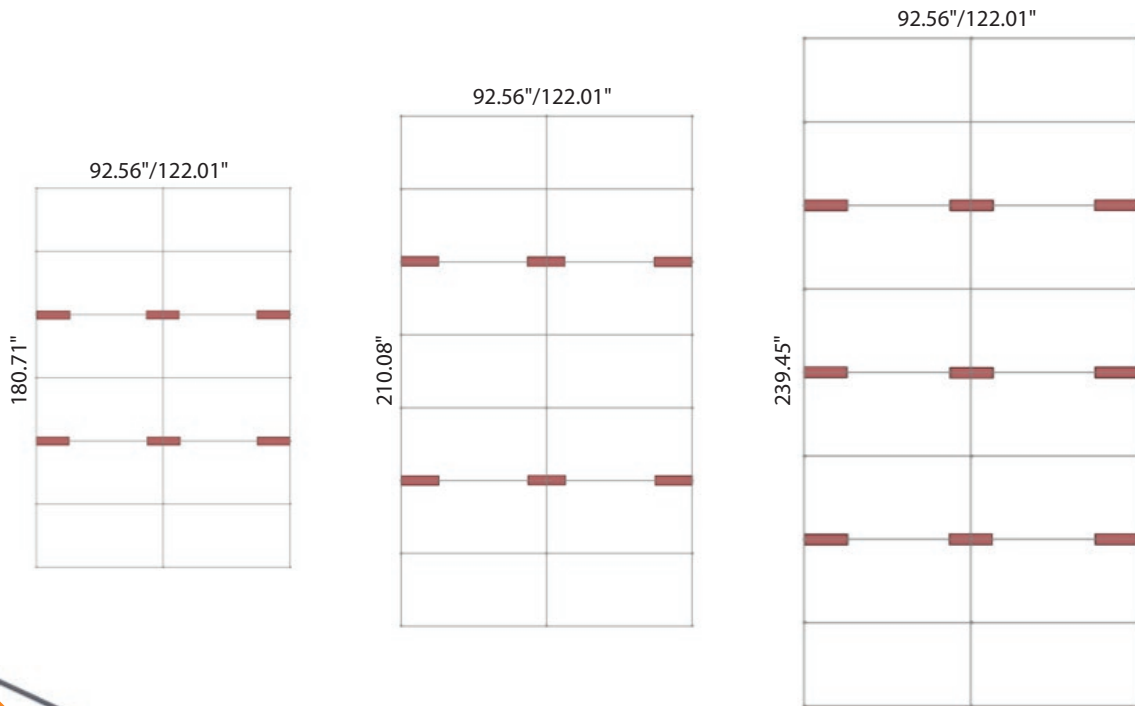


**Install ME4 lower with extra screw if your house W=92.56"**

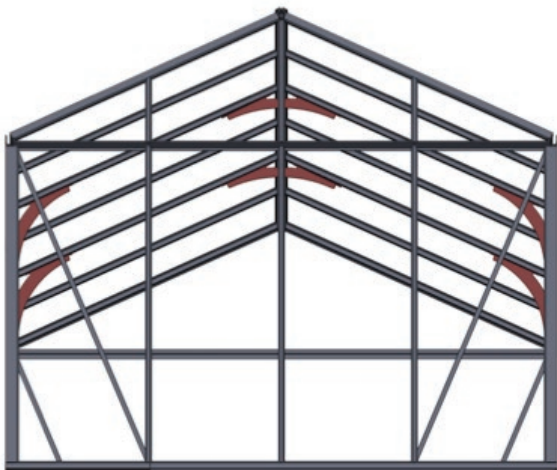
**Not used for sizes L = 63.23", 92.60"**



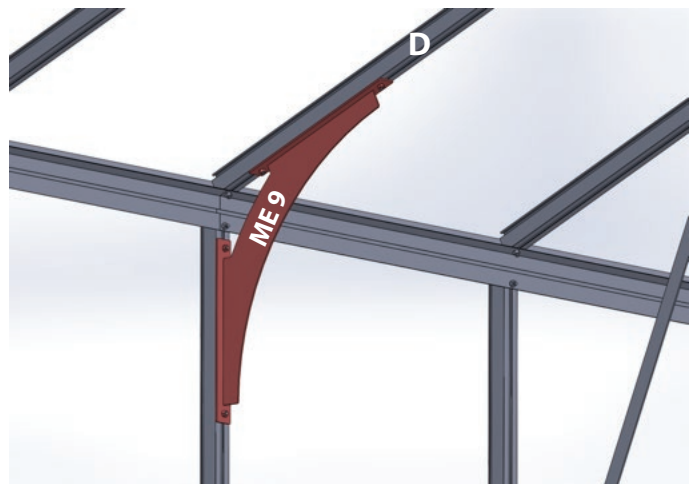
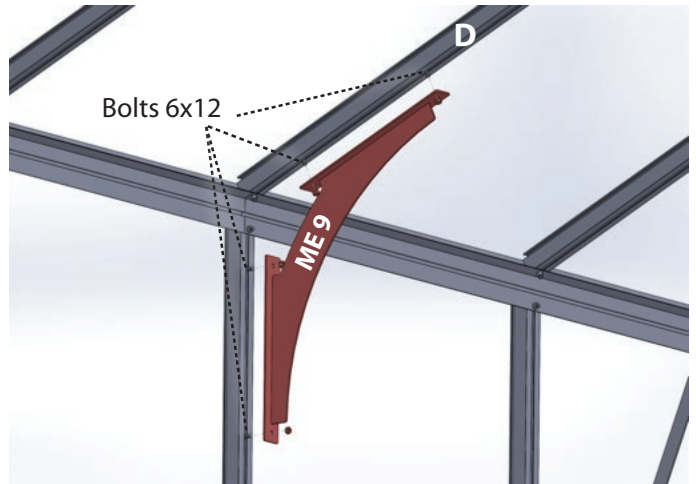
## ME9 placement

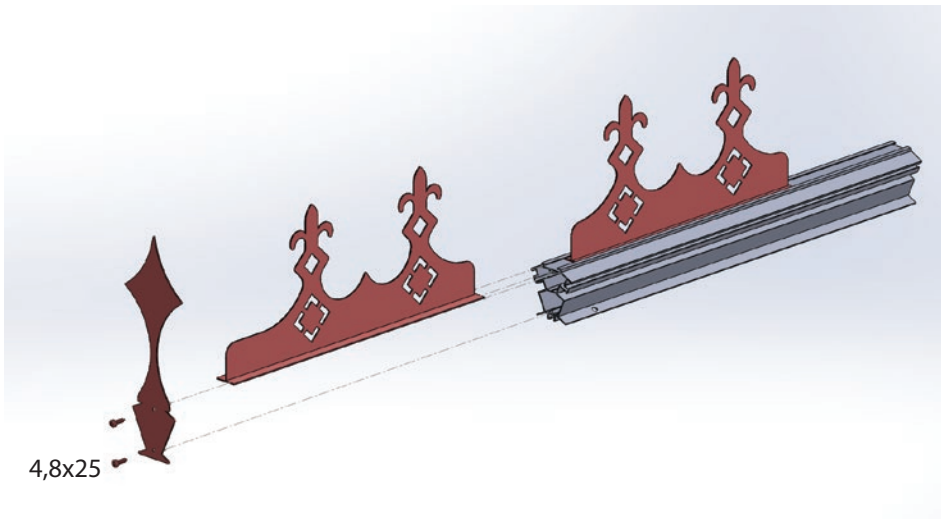
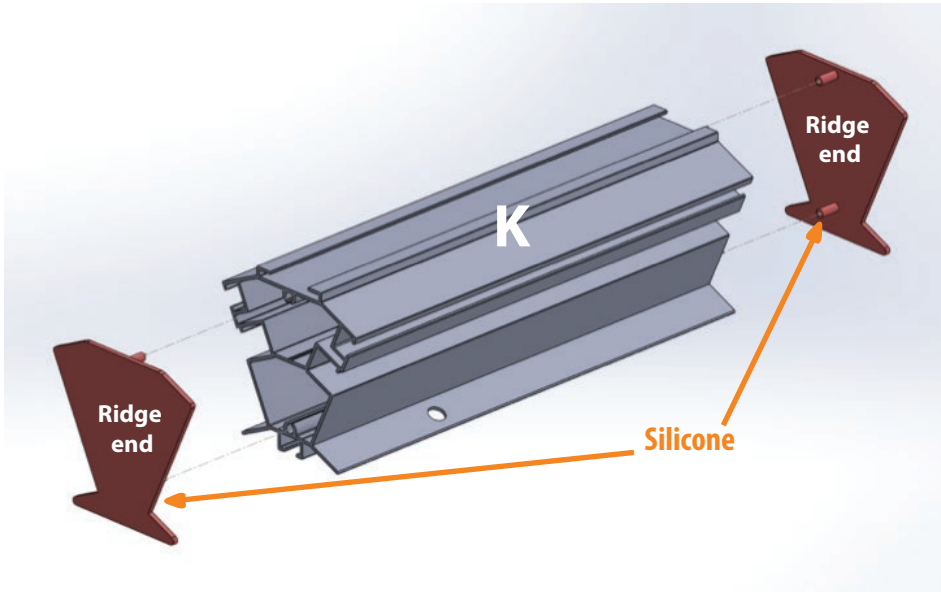


1. Push ridge from inside up by 0.59"
2. Fix the screws

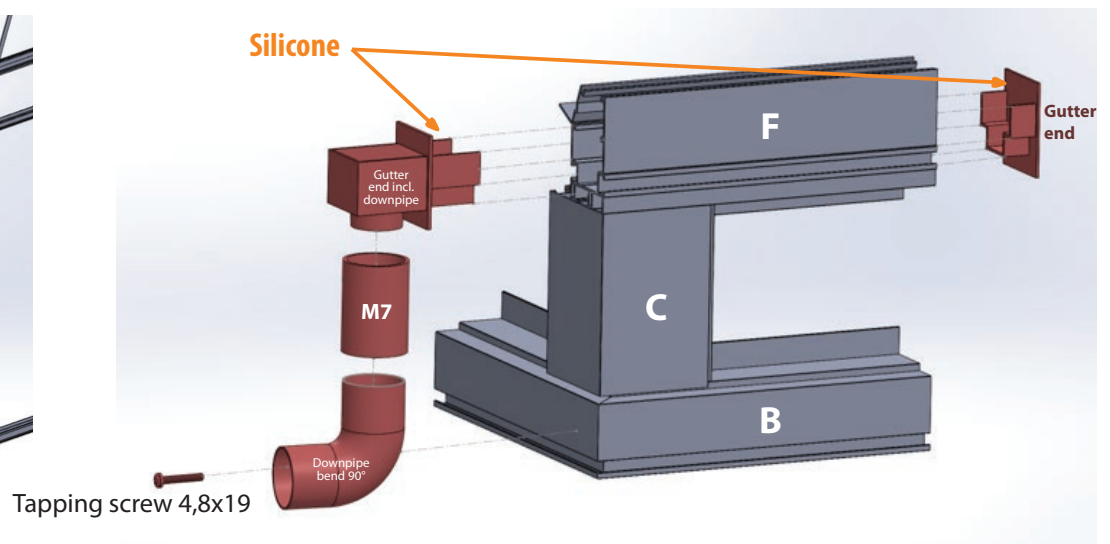
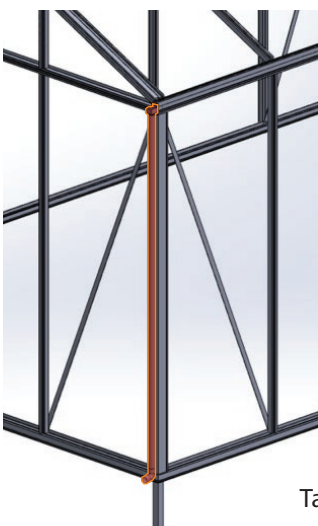


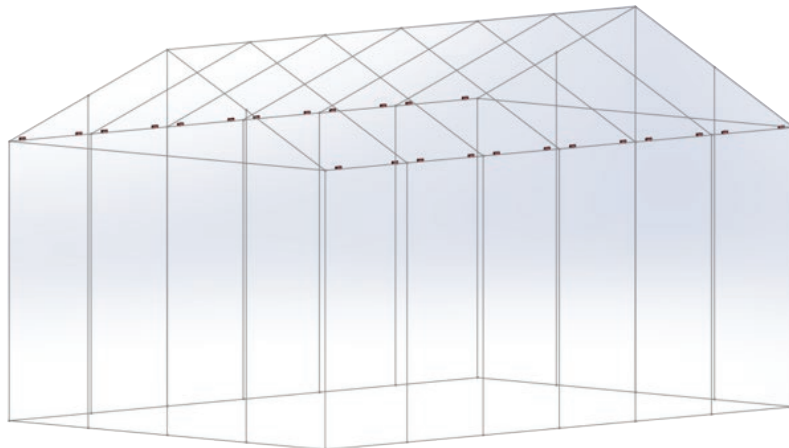
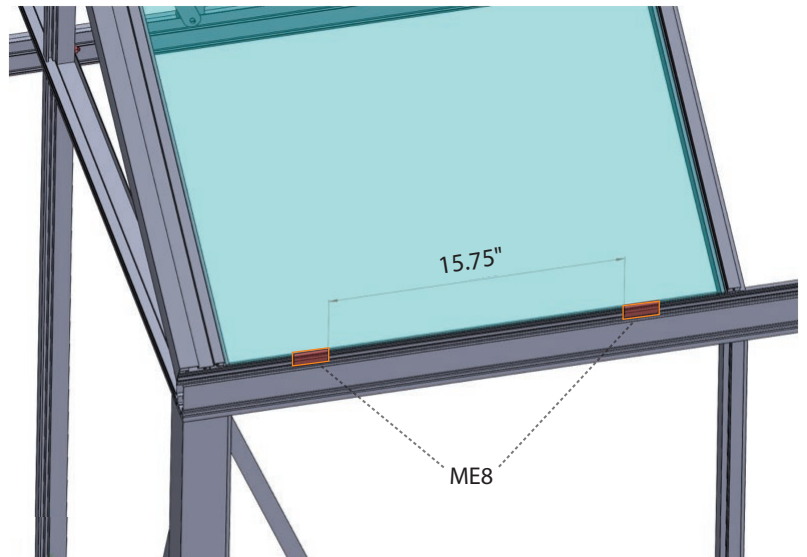
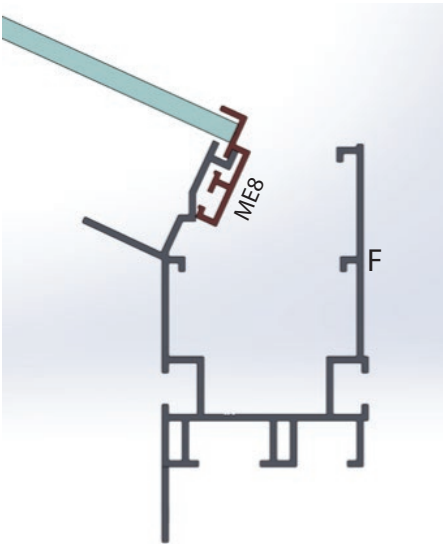
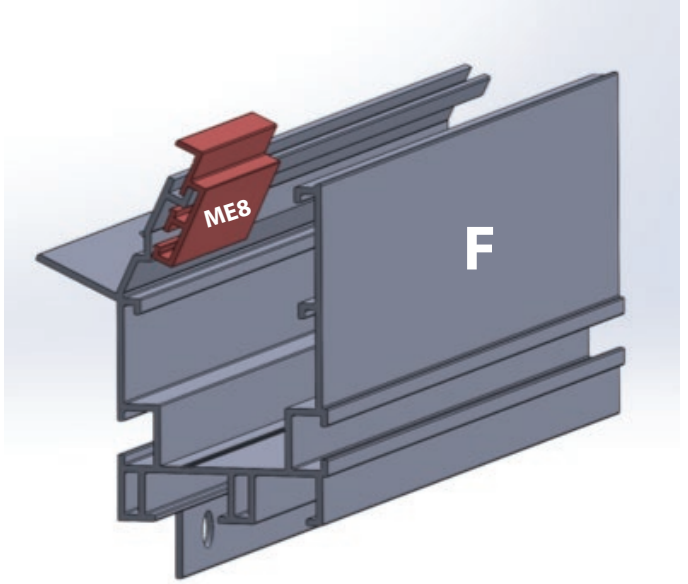
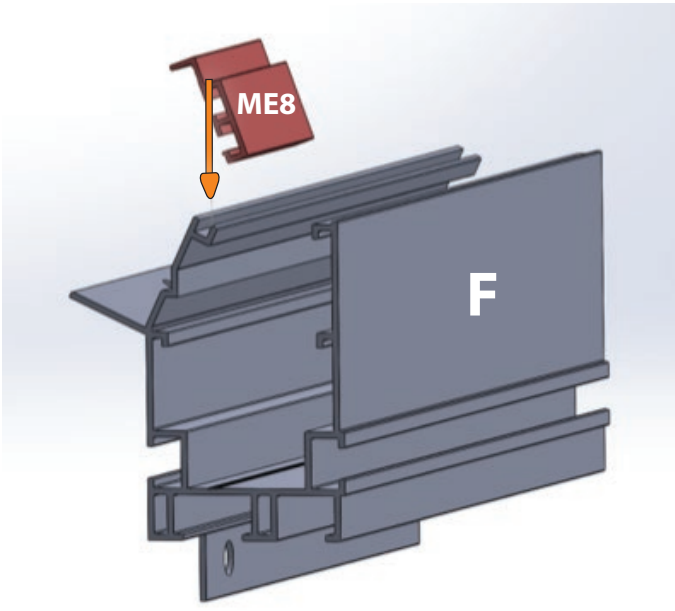
**Not used for sizes L = 63.23", 92.60"**

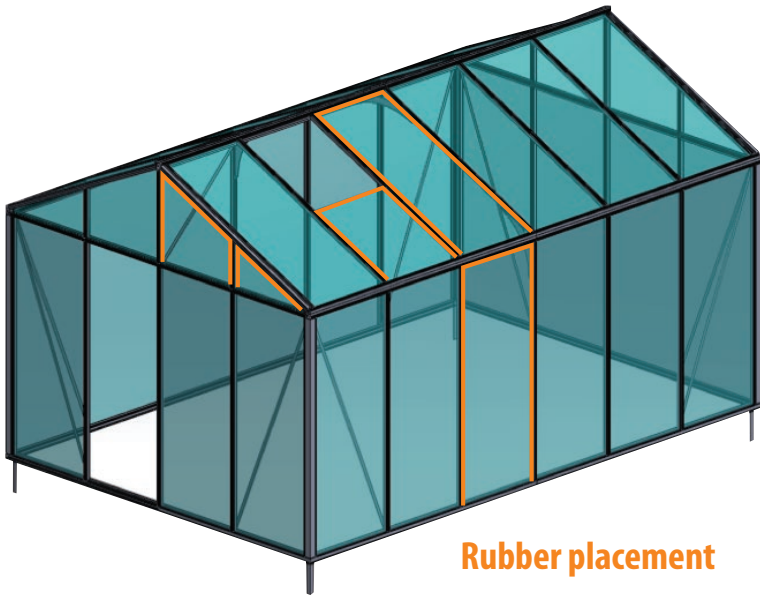
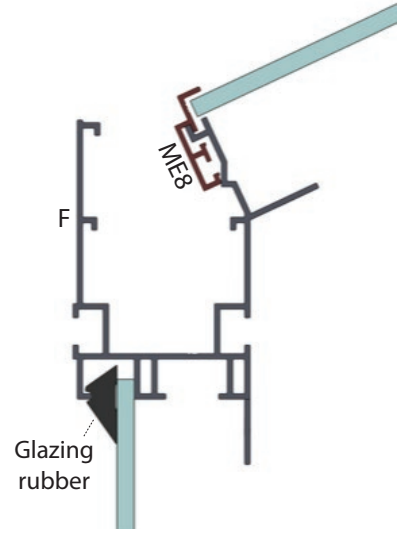
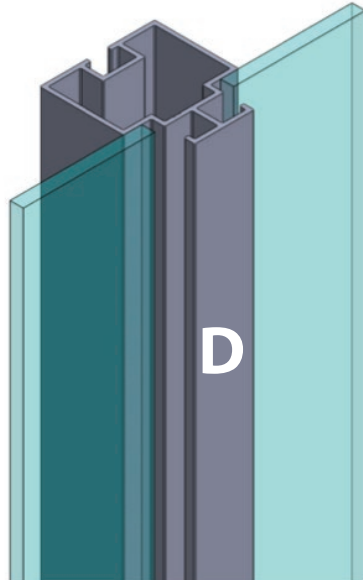
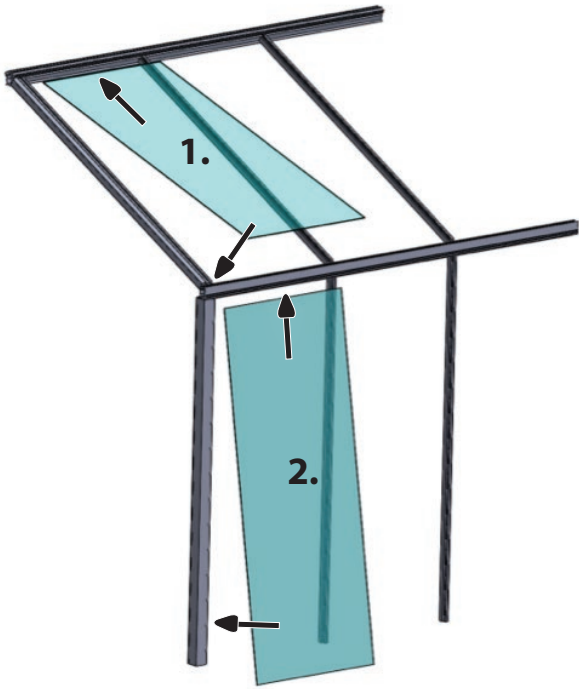




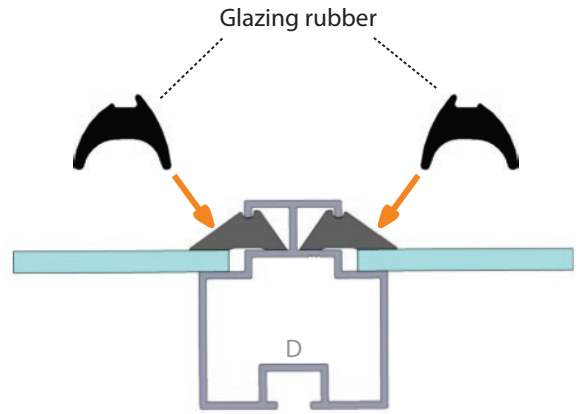
**Install ridge decors before roof windows**

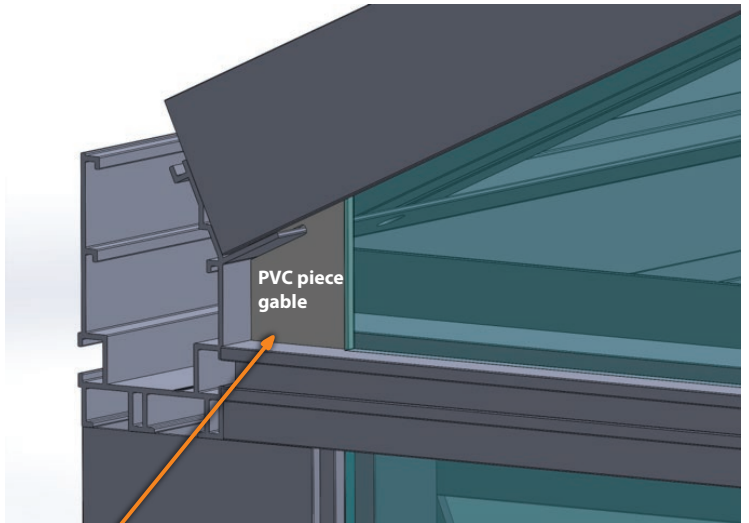
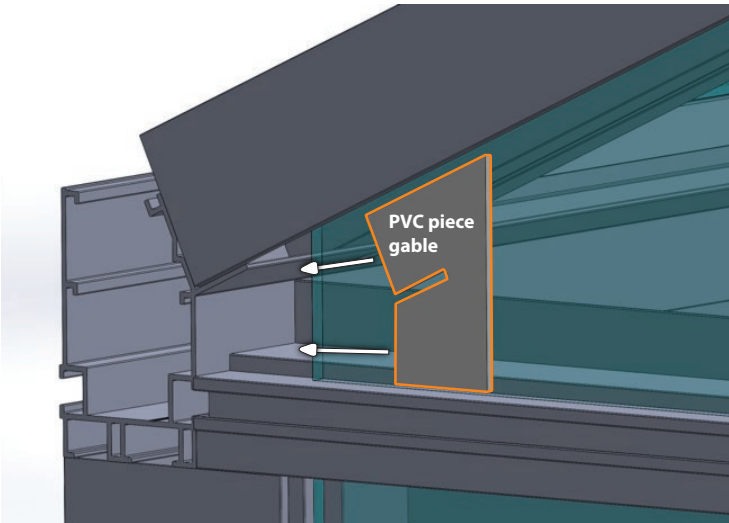
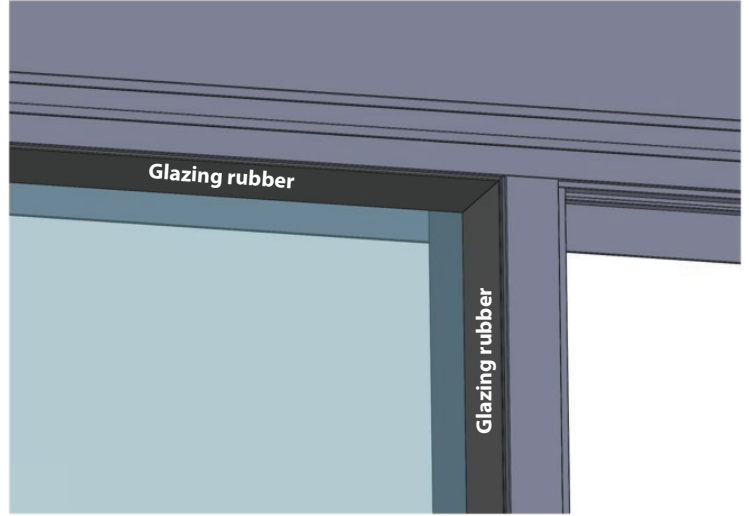
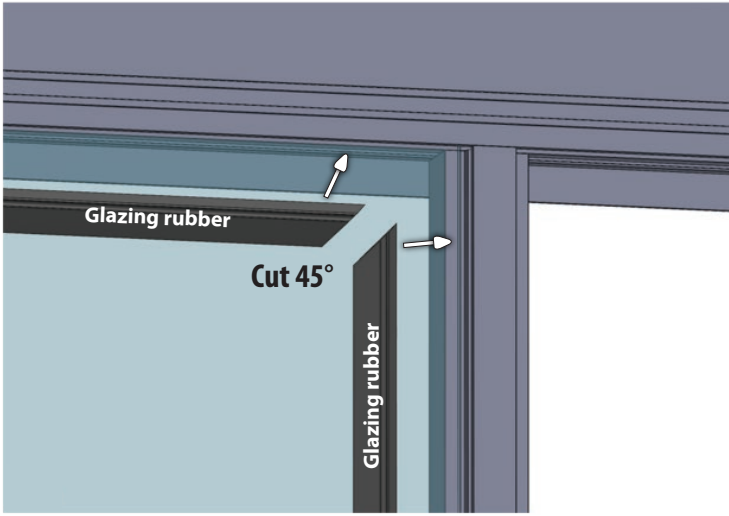






**Rubber placement**

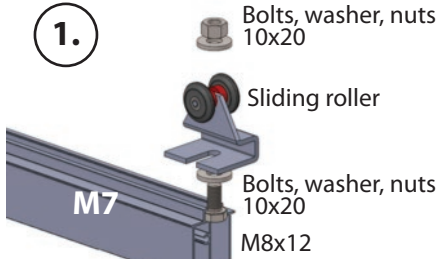




Silicone

# Sliding doors

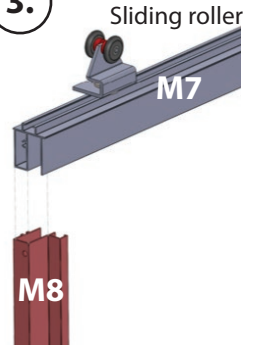
1.



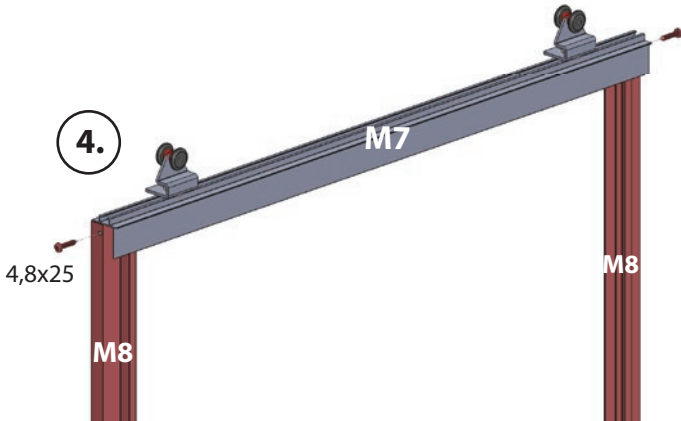
2.



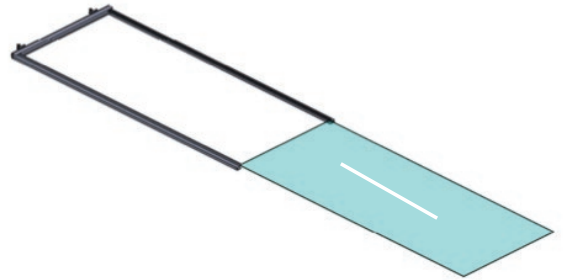
3.



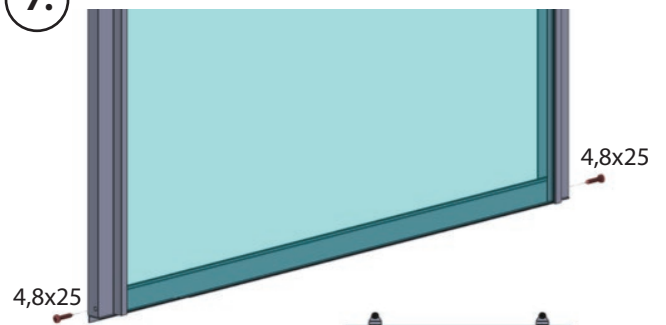
4.



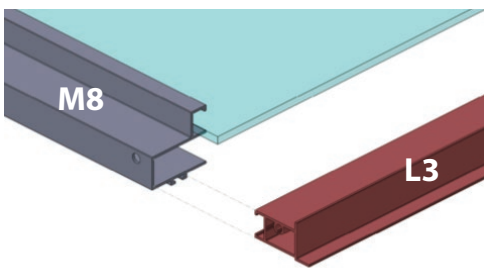
5.



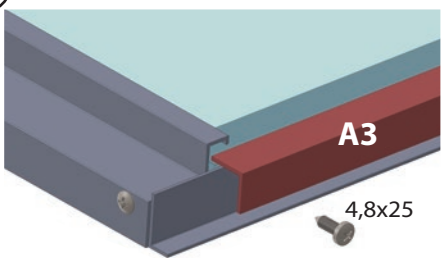
7.



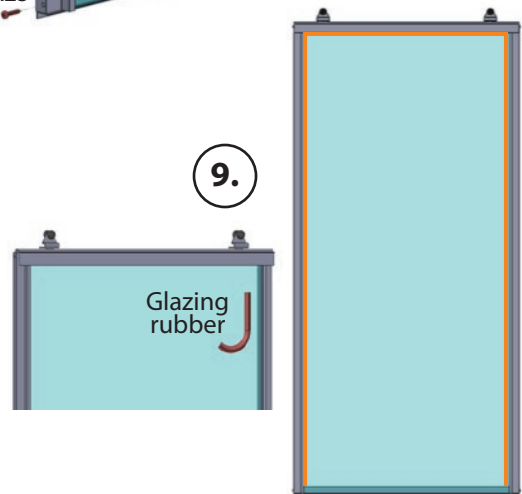
6.



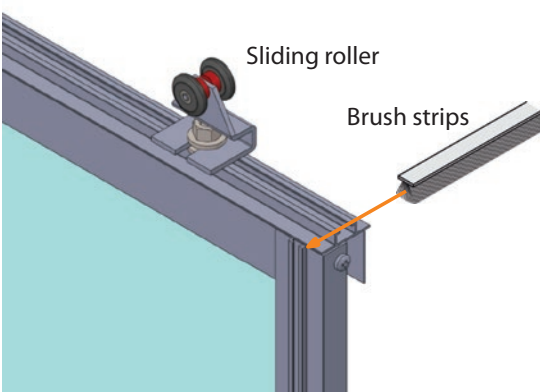
8.



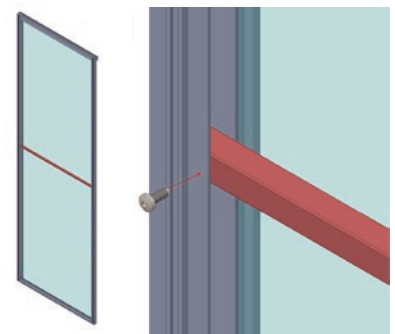
9.



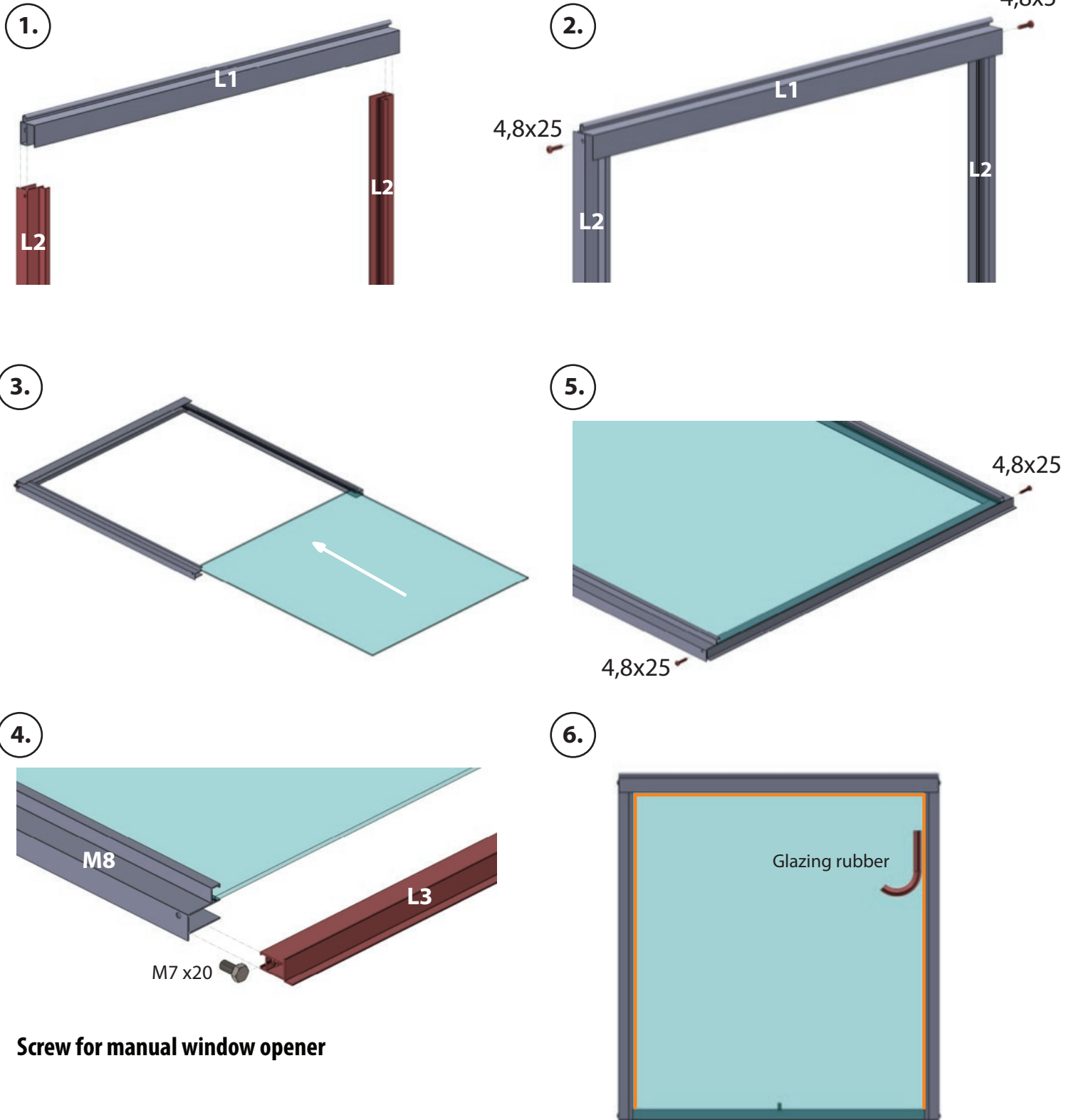
10.



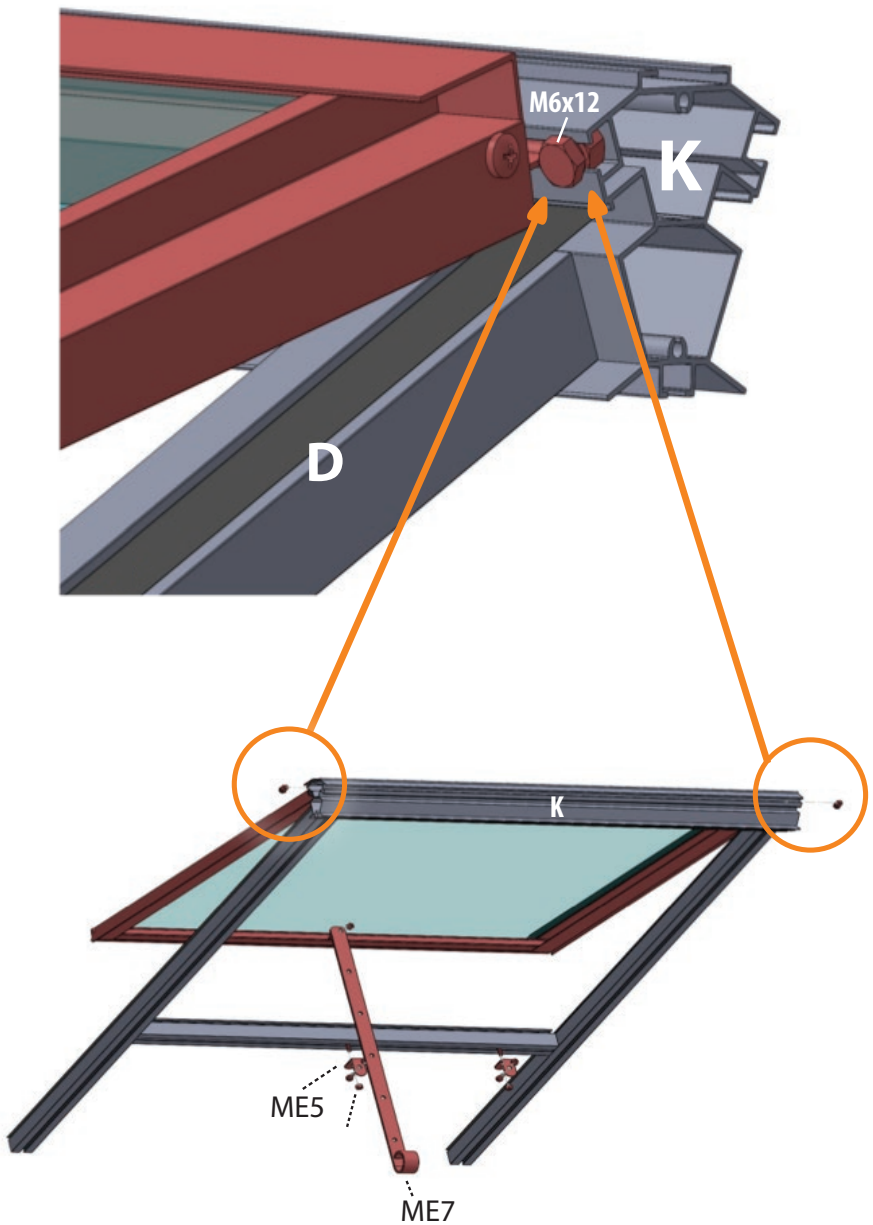
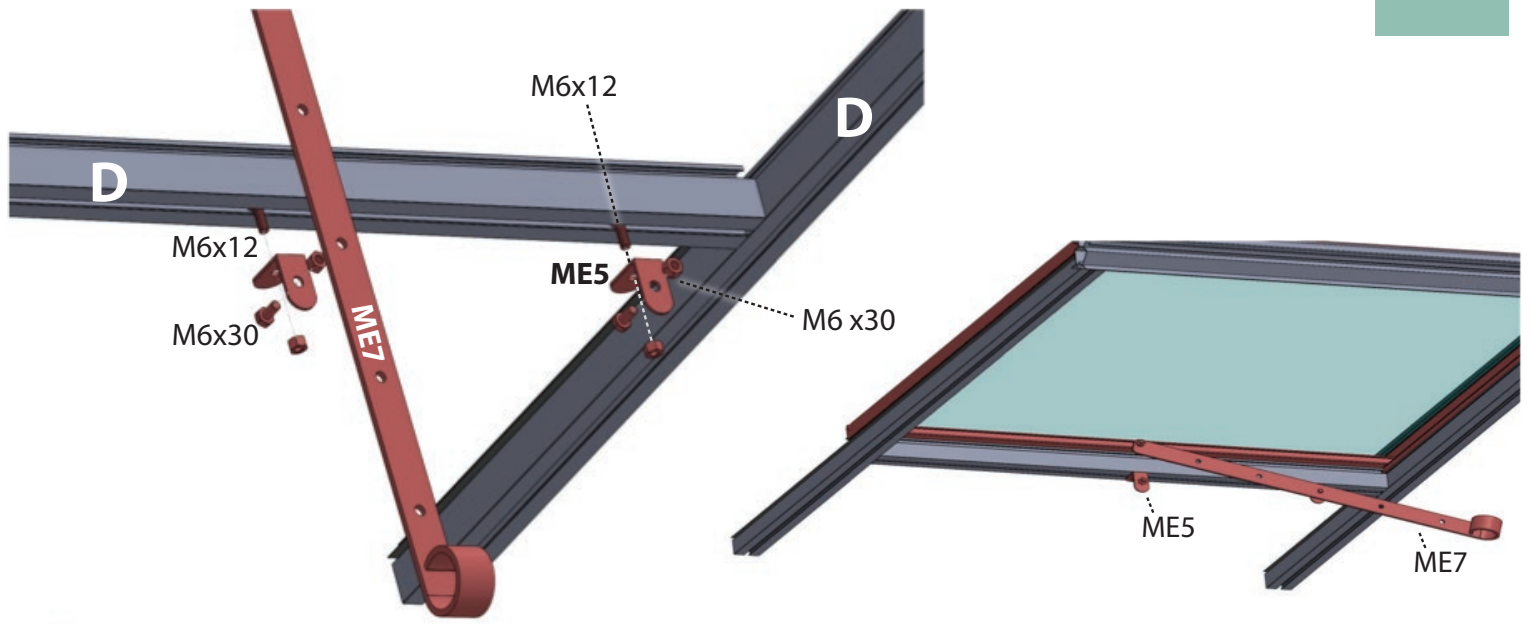
For doors larger than 30 11/16" x 71 5/8"

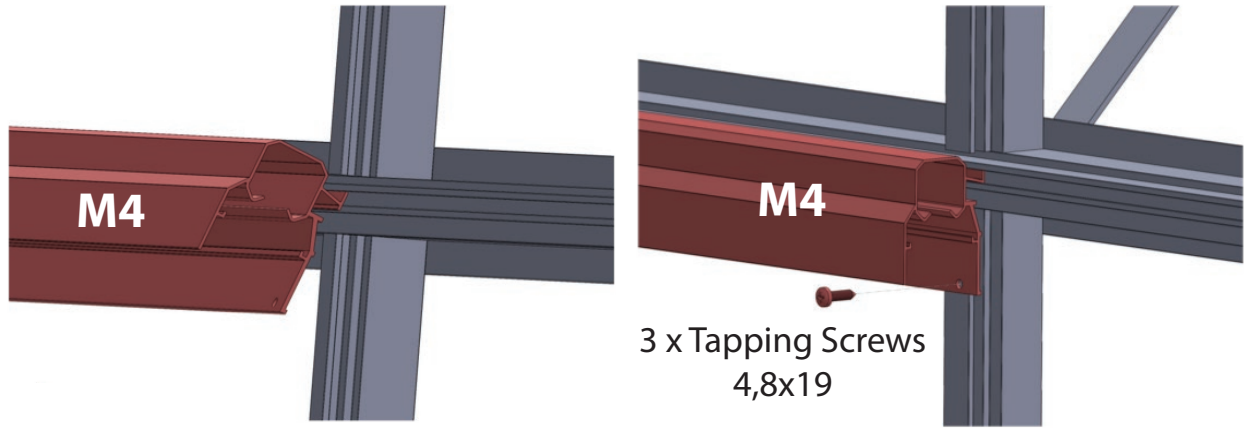


## Roof window

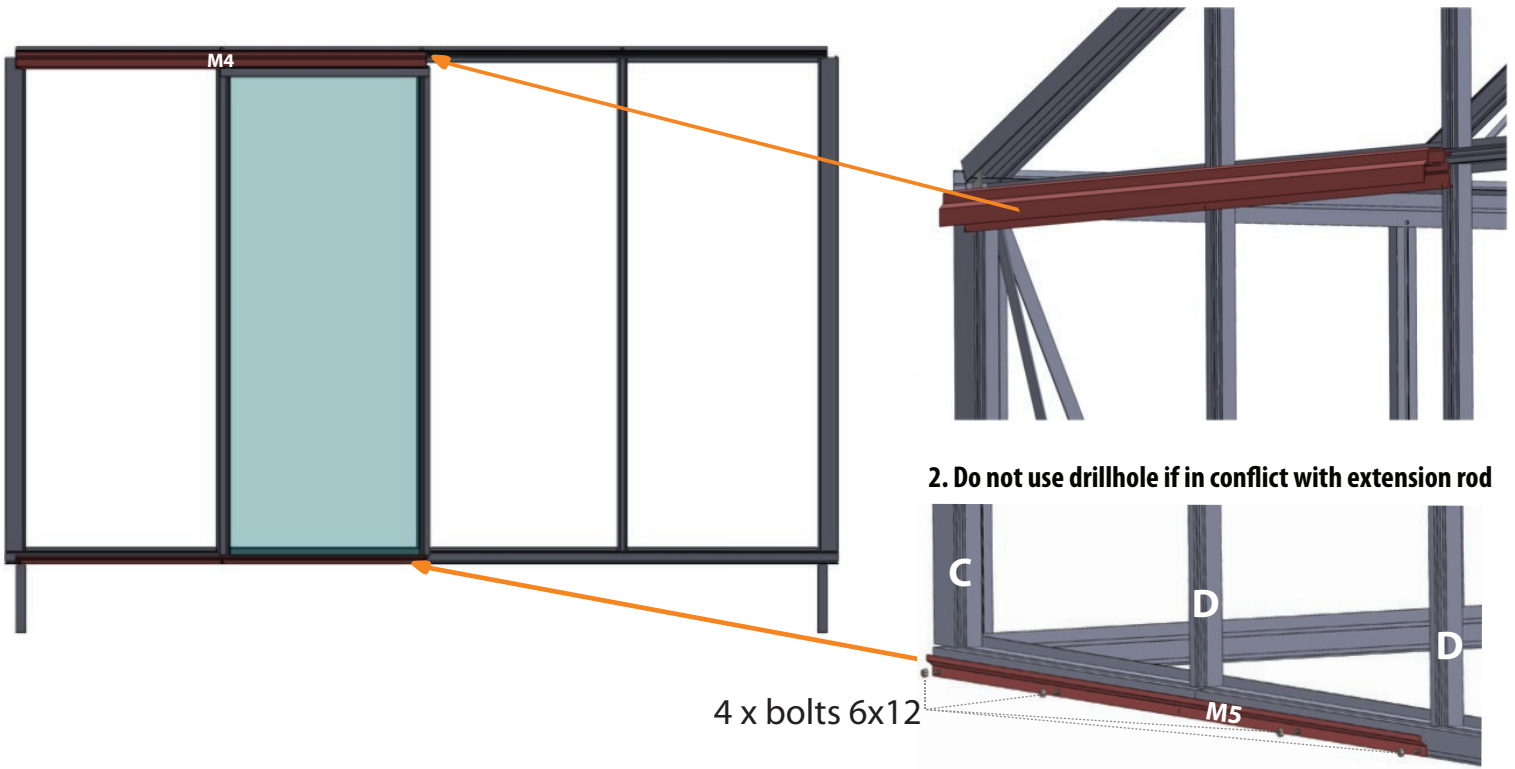
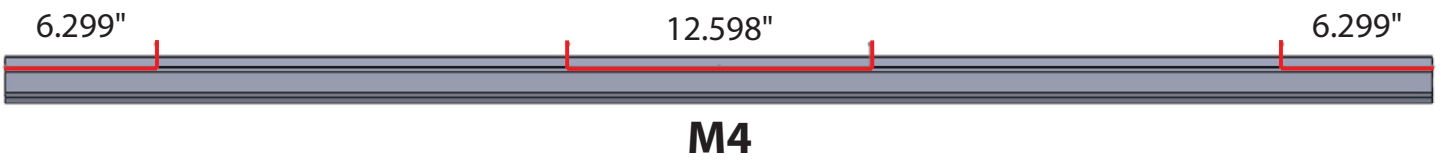


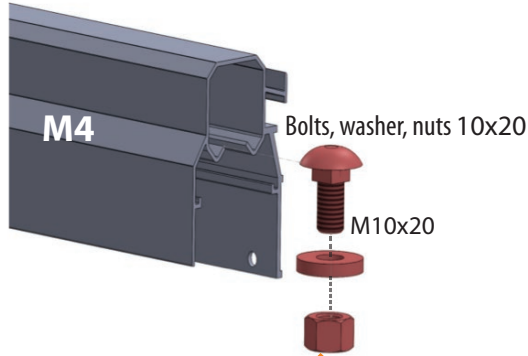
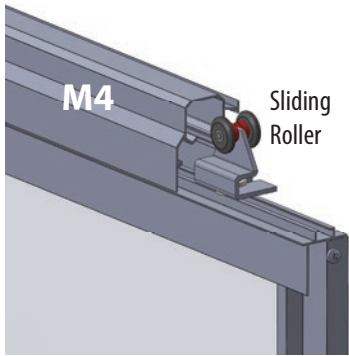
**Screw for manual window opener**



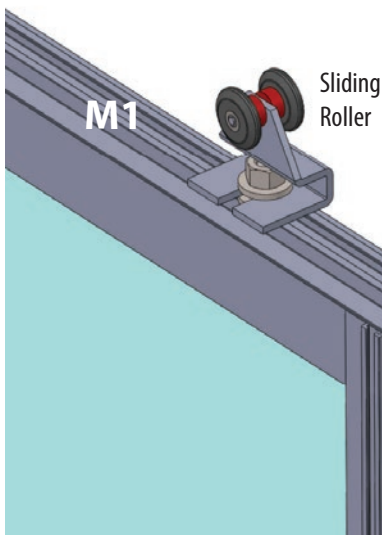
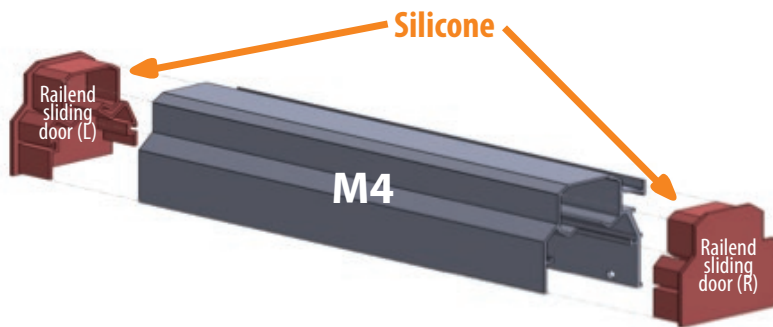
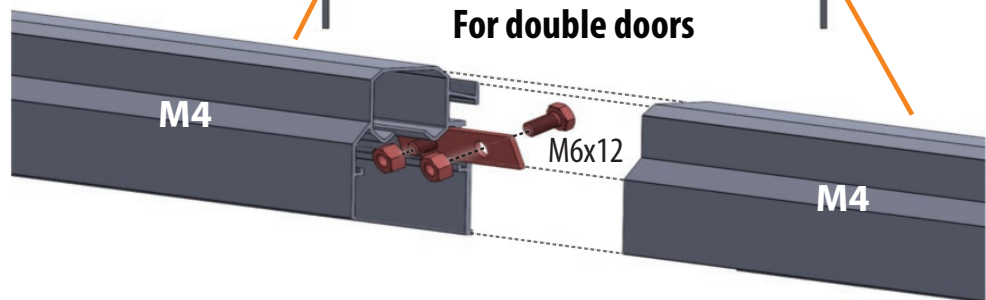
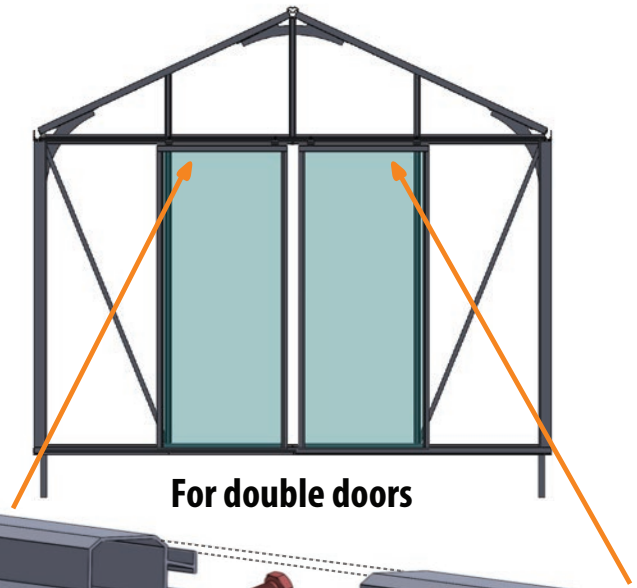
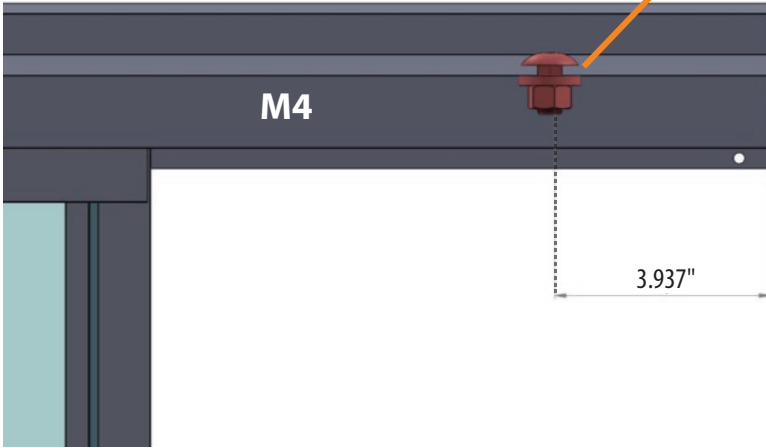


If in conflict with extension rod, cut out part here





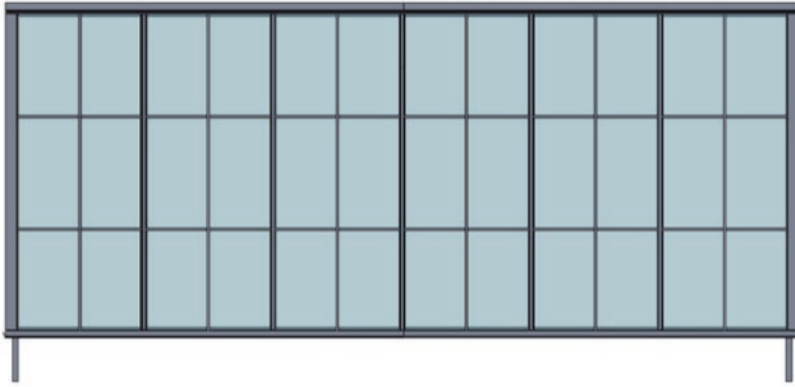
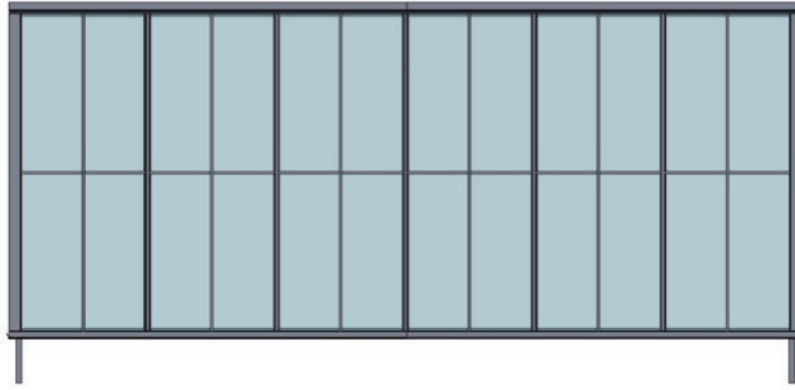
**Insert doors into door profile and add stoppers**



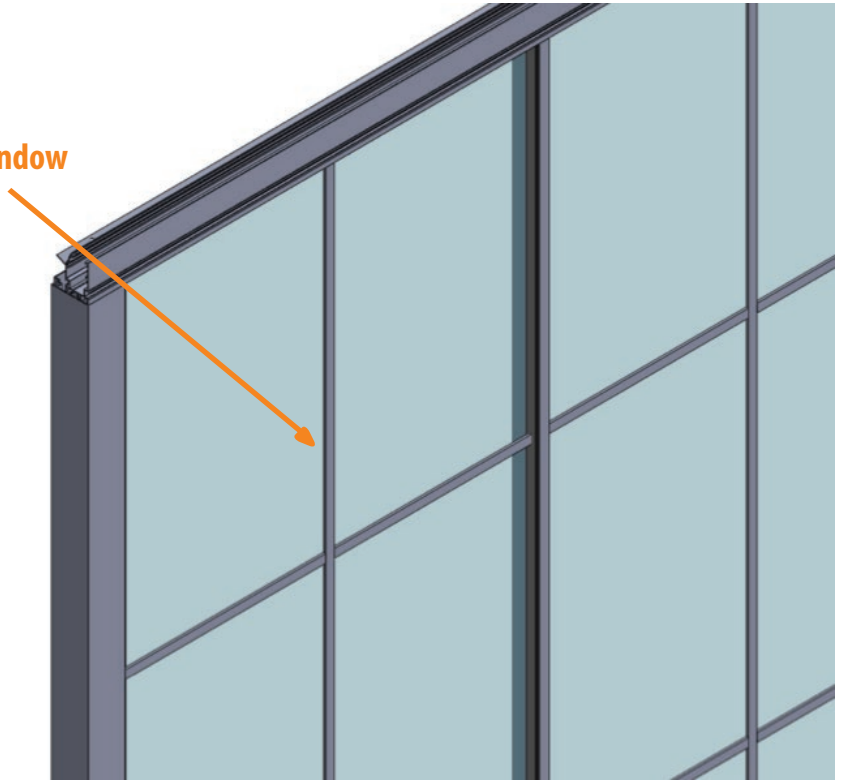
**For double doors install 1 extra L profile**

4 x Tapping screws 4,8x25

# WINDOW CROSSBARS (optional)

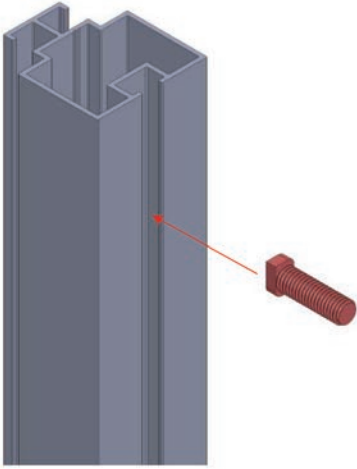


Glue to the window

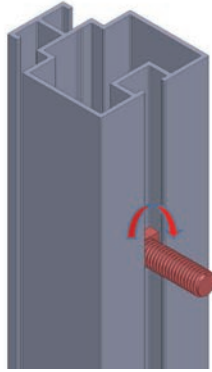


## ACCESSORY MOUNTS

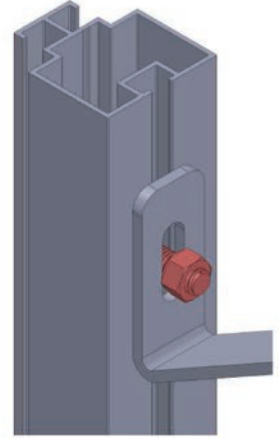
**1. Insert the special screw into the profile**



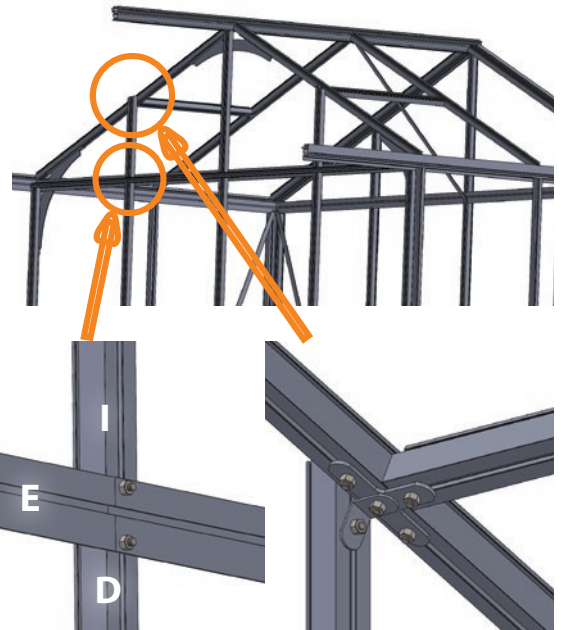
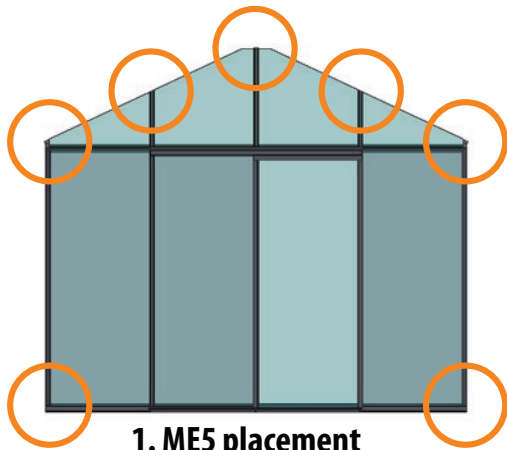
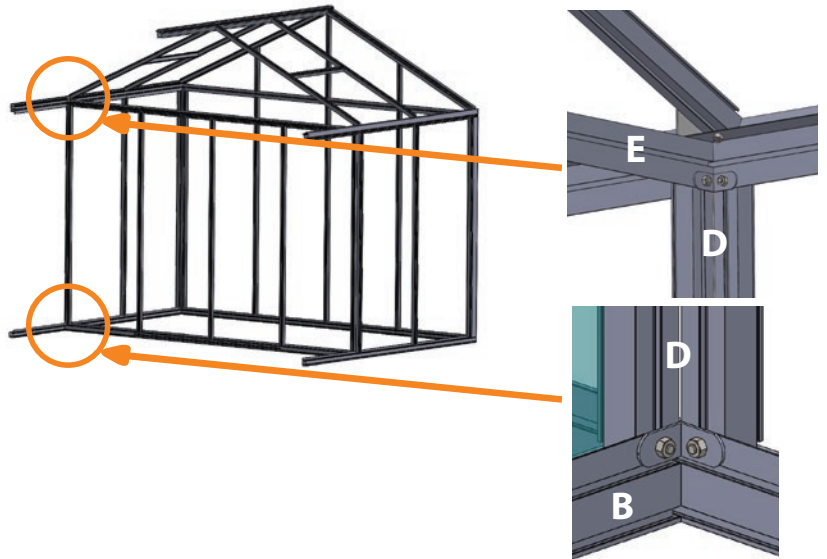
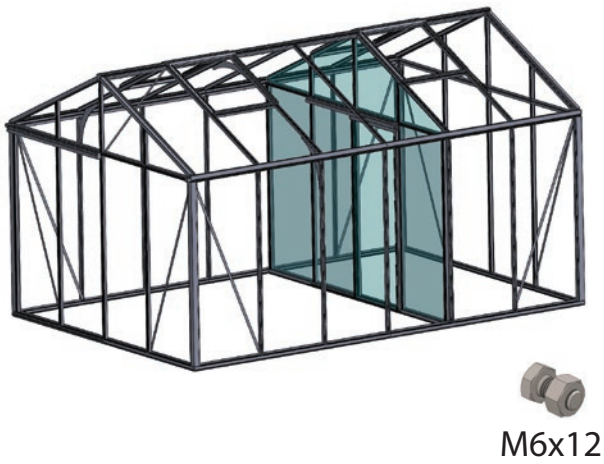
**2. Turn it 90°**



**3. Attach the accessory and secure it with a nut**



# STORAGE ROOM WALL INSTALLATION (OPTIONAL)



2. For window installation see step 18

3. For doors installation see step 20 and 23/24

